

Incubator Agitator for Platelet



HXZ-149



HXZ-1369

Scope of Application :

This incubator includes an integrated platelet agitator and is designed to create the optimal storage environment of platelets after collection. Suitable for hospitals, blood stations and research applications.

Innovative Design

- ◎ Superior Insulation Performance
- ◎ Peltier Technology
- ◎ Uniform Temperature $22^{\circ}\text{C} \pm 1^{\circ}\text{C}$
- ◎ Reliable Oscillation
- ◎ Energy Saving
- ◎ Variable Agitation Speed

Qingdao Haier Biomedical Co.,Ltd.

No.280 Feng Yuan Road, High-tech Zone,
Qingdao, 266109, P.R. China
E-mail: inquiry@haierbiomedical.com
Website: www.haiermedical.com



Haier Biomedical
International



Haier Biomedical
International



@haiermedicalint



Haier Biomedical
International



Haier Biomedical
International

Product Advantages

- Data Traceability**
 - Real-time temperature monitoring, records and stores historical data, alarm records and events
 - USB interface, convenient and safe data transfer
- Multiple Alarms**

Multiple alarms including high and low temperature alarm, power failure alarm, sensor failure alarm, door ajar alarm, low battery alarm, abnormal alarm of oscillating motor, remote alarm ensures maximum safety
- Reliable Oscillation**

The agitator mechanism is equipped with an alarm and calibration device to ensure platelet quality
- Low Noise**

Semiconductor and EBM oscillating motor provide a quiet working environment
- Variable Agitation Speed control from Touch Screen**

Adjust Oscillation Frequency (30-100 cycles/minute) to meet the customer needs
- Energy Saving**

Peltier technology, PID algorithm adjustment, energy saving 13% than the traditional compressor
- Superior Insulation Performance**

60mm thickened foam layer. In the event of a power failure within a 25°C ambient and a full load, the warm up time from 22°C to 24°C in the center of the chamber is more than 4 hours
- Peltier Technology**

Semiconductor temperature control, internal temperature is maintained at 22°C±1°C
- Ultraviolet Disinfection**

The UV disinfection function helps maintain a sterile environment
- Robust Structure**

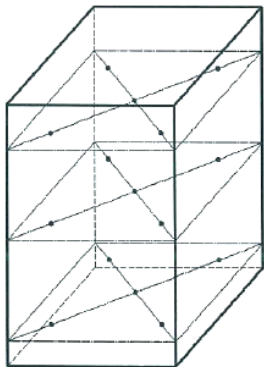
Internal material is stainless steel 304 and External material is powder coated cold-roll steel sheets without sharp edges, easy to disinfect.

Product Parts



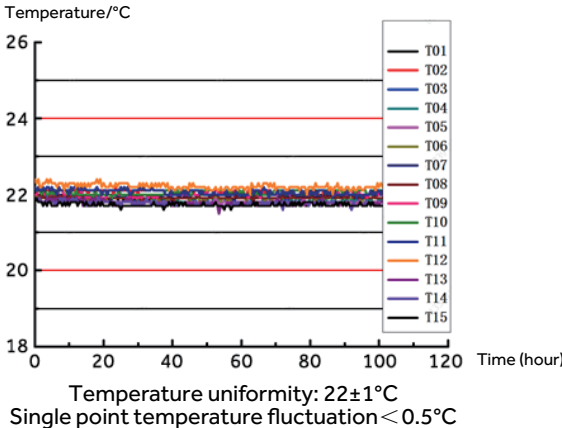
HXZ-1369

Product Performance

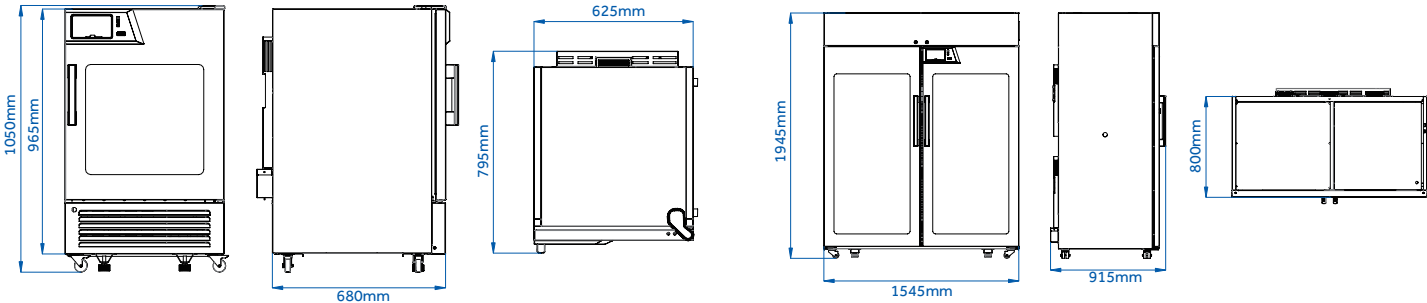


HXZ-149 15 test points

HXZ-149 Running temperature curve (Empty loaded)



Product Dimension Drawings



HXZ-149

HXZ-1369

Specifications



Model		HXZ-149	HXZ-1369	
Performance	Temperature Range (°C)	20-24	20-24	
	Ambient Temperature (°C)	10-32	10-32	
	Oscillation Frequency (cycles/min)	30-100	30-100	
	Amplitude	50±5mm amplitude	50±5mm amplitude	
	Display Accuracy (°C)	0.1	0.1	
	Noise	50	55	
Control	Controller	Microprocessor	Microprocessor	
	System Temperature Control	peltier technology (semi-conductor heating and cooling)	peltier technology (semi-conductor heating and cooling)	
	Display	LCD	LCD	
Electrical Data	Power Supply (V/Hz)	200-240/50	200-240/50	
Dimensions	Capacity (L/Cu.Ft)	149/5.26	1369/48.35	
	Blood Storage Capacity (300ml blood bags)	36	216	
	Net/Gross Weight (approx)	kg	94/122	412/480
		lbs	207/269	908/1058
	Interior Dimensions (W*D*H)	mm	505*560*610	1425*680*1455
		in	19.8*22*24	56.1*26.8*57.3
	Exterior Dimensions (W*D*H)	mm	625*795*1050	1545*915*1945
		in	24.6*31.3*41.3	60.8*36*76.6
	Packing Dimensions (W*D*H)	mm	718*815*1228	1610*995*2090
		in	28.3*36.2*48	63.4*39.2*82.3
Container Load (20'/40'/40'H)		18/38/76	7/14/14	
Alarms	High/Low Temperature	Y	Y	
	Power Failure	Y	Y	
	Sensor Error	Y	Y	
	Low Battery	Y	Y	
	Door Ajar	Y	Y	
	Remote Alarm	Y	Y	
	Abnormal Oscillation Motor Alarm	Y	Y	
Accessories	Caster	Y	Y	
	Foot	Y	Y	
	Porthole	Y	Y	
	Baskets	N	N	
	Shelves/Drawers	8	18	
	Inner Doors	N	N	
	USB Interface	Y	Y	
	IoT Function	Optional	Optional	
Others	Certification	CE	CE	

*Haier Biomedical reserves the right to change products and specifications without prior notice.