

Intelligent Series Biological Safety Cabinet



HR900/1200/1500-IIA2

Scope of Application :

Professional partial air purification equipment, it is suitable for cell biology, microbiology, biomedicine, biosafety and other related laboratories. It provides the most basic protection and isolation equipment for biosafety.

Innovative Design

- ◎ Maintenance-free Fan System
- ◎ Ultra-Low Penetration Air System Filter
- ◎ Safe and Reliable
- ◎ Drop-down Front Window

Qingdao Haier Biomedical Co.,Ltd.

No.280 Feng Yuan Road, High-tech Zone,
Qingdao, 266109, P.R. China
E-mail: inquiry@haierbiomedical.com
Website: www.haiermedical.com



Haier Biomedical
International



Haier Biomedical
International



@haiermedicalint



Haier Biomedical
International



Haier Biomedical
International

Product Features

- Drop-down Front Window

Remove the hand rest, drop down the front window to clean the upper edge off the glass conveniently, without leaving any blind spots.



- V-shaped air inlet

The V-shaped air inlet can prevent the samples or arms of the operator from blocking the air flow. The handle is used for lifting the workbench and cleaning the liquid collected in the tank conveniently.



- Patented Technology: UV Lamp One-touch application

The UV Lamp can be preset to automate on/off sterilization and remember the user's settings and habits, it is set by pressing one button, reducing down time for user.



- Patented Technology: Waterproof Receptacle Timing

The receptacle can be set by using a microcomputer to supply power at a specified time, to satisfy the user's demands for timing of experiment.



- Universal Casters with Built-in Threaded Supporting Legs

The under-frame is designed with universal casters for moving the cabinet conveniently, and the built-in threaded supporting legs can prevent the propagation of bacteria.



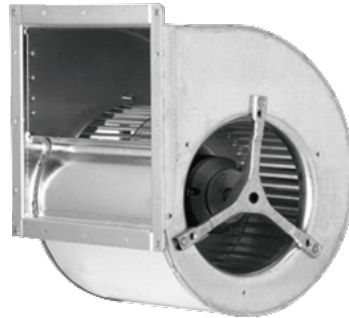
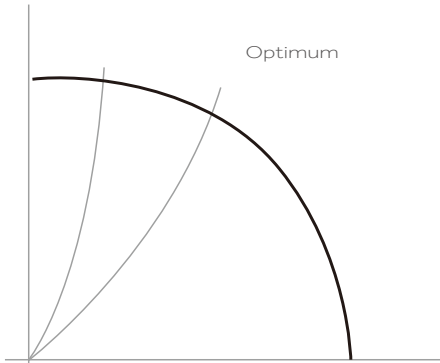
Key Components

- Ultra-Low Penetration Air System (ULPA) Filter (U15)

- The ULPA filter is made from moisture-proof and fireproof glass with a typical efficiency up to 99.9995% when filtering 0.12µm solid particles, fully meeting the cleanliness requirements of USA FED STD 209E Grade 1 (or ISO 14644-1 Grade 3).
- The ULPA filter can supply vertical air flow to the workbench, preventing the samples from being contaminated.
- The filter can be scanned from point by point to ensure high performance, reliability and safety.

Intelligent Series Biological Safety Cabinet

- Maintenance-free fan system
- Forward centrifugal fan with air inflow from both sides of the motor, reducing noise to a very low level
- Self-cooling, low energy consumption enhances reliability
- Optimal balance between air supply and energy consumption
- Stable air flow for the safety cabinet by controlling the precise voltage of the fan



Safe



- Abnormal operation condition alarm

Audible and visual alarms in the form of voice or text will be present when the air turbulence level exceeds 20%, and door height (high or low) or work area temperature exceeds limits.

- Patented technology: UV lamp end-of-life reminder

The microcomputer will track the usage time of the UV lamp, and will warn the user to replace the UV lamp when its remaining life is less than 10%.

- Patented technology: filter end-of-life reminder

The pressure transducer monitors the resistance variations to determine the remaining life of the filter, and will warn the user when the remaining life is below 10%.

- Interlocking feature to ensure high safety and reliability

Patented technology: UV lamp interlocking control

UV lamp, front window, fan and interior light are interlocked to prevent any leakage of UV rays or micro organisms

* Type B2 safety cabinet with internal & external fans interlocked

The external fan will be activated first when the safety cabinet is powered on, and the internal fan will be deactivated first when the safety cabinet is powered off.

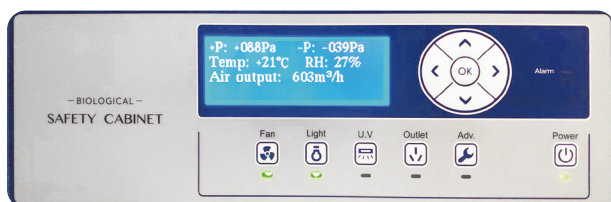
When the air inflow is lower than the limit, the internal fan will be deactivated, and the external fan will continue working, accompanied with audible and visual alarms. If the internal fan is deactivated while in use, the external fan will continue working, accompanied with audible and visual alarms.

Professional



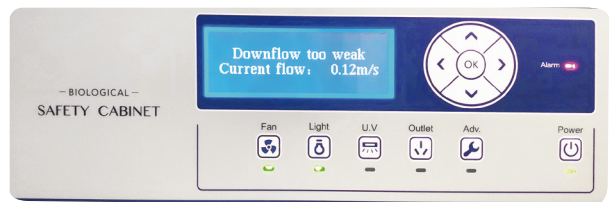
- Digital display of operating parameters

The LCD screen displays in real-time operating parameters such as digital display of down flow, inflow, exhaust volume, working area temperature, remaining life of the filter, UV lamp plus negative pressure and positive pressure.



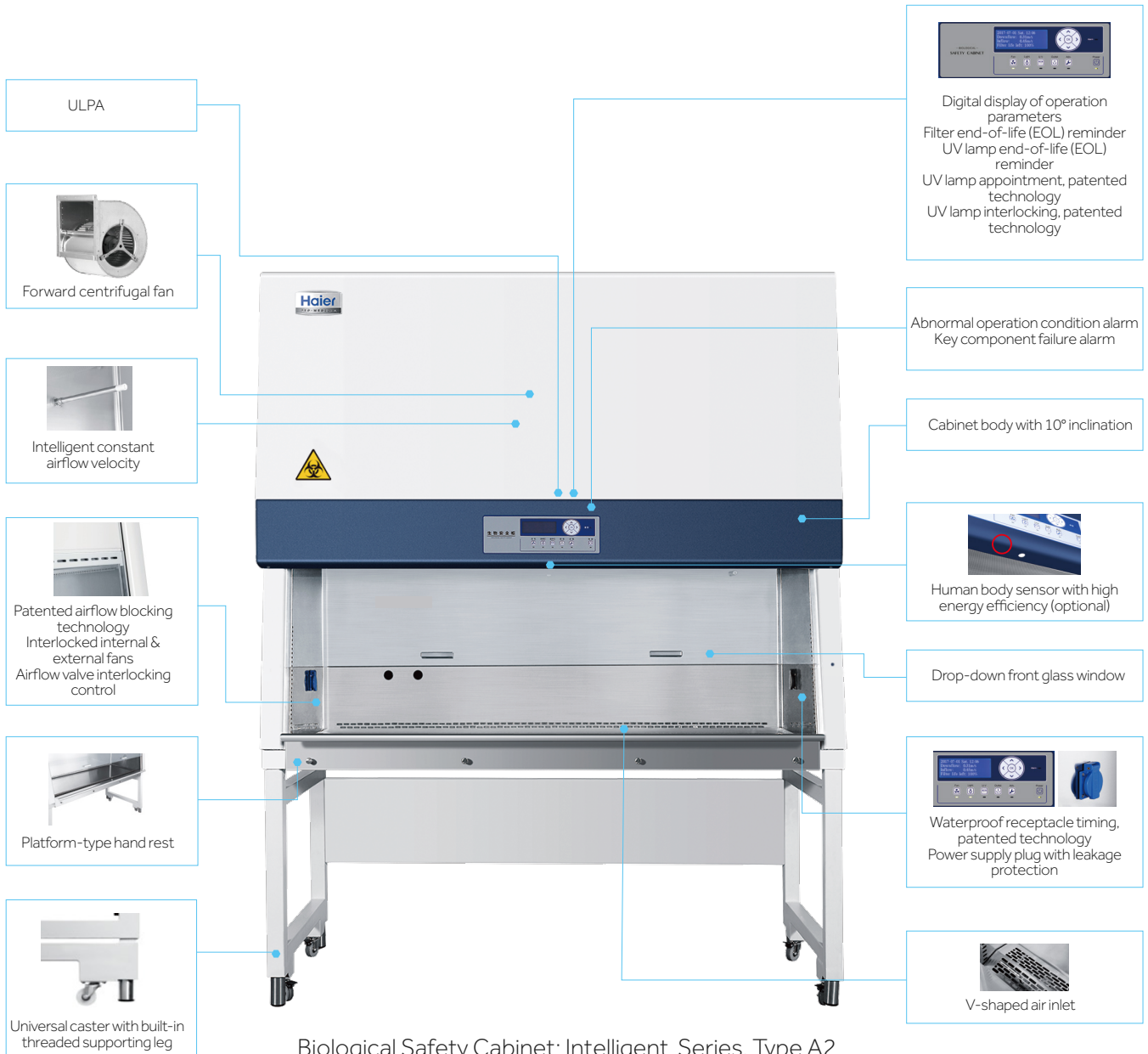
- Key component failure alarm

Audible and visual alarms will be given in case of any failures in the airflow velocity sensor, pressure sensor, temperature sensor, microcomputer board or air flow valve, indicating the position of failure in voice or text.



Intelligent Series Biological Safety Cabinet

Product Parts Diagram



Optional Components



Valve port, yellow, for fuel gas



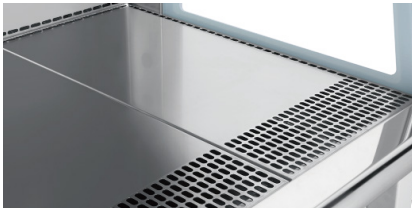
Valve port, blue, for compressed air



Valve port, grey, for vacuum



Valve port, green, for water



1.5mm thickened workbench and liner



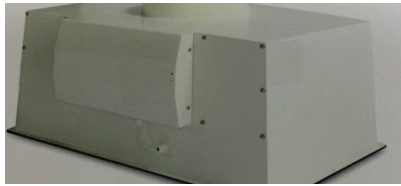
316 stainless steel workbench and liner



VHP sterilization kit



Type A2 BSC exhaust hood



Activated carbon kit



Height-adjustable support



Europe, UK and USA standard power supply sockets

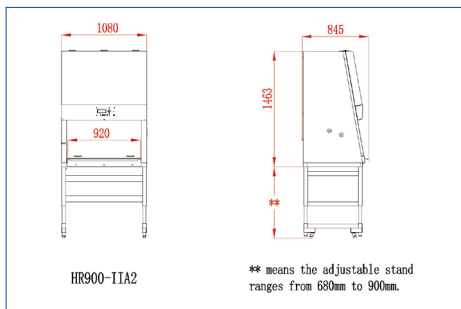


Europe, UK and USA standard power supply plugs

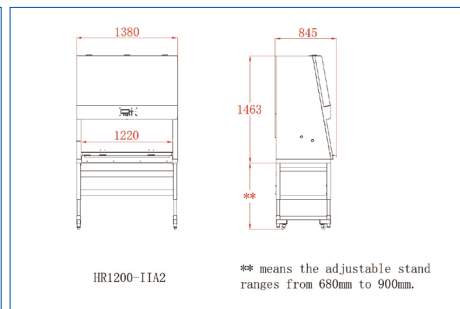


IR sterilizer

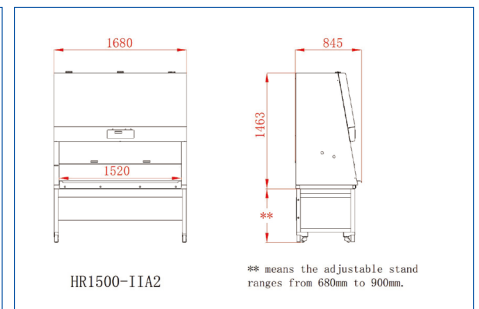
Product Dimension



HR900-IIA2



HR1200-IIA2



HR1500-IIA2

Intelligent Series Biological Safety Cabinet

Specifications



Model		HR900-IIA2	HR1200-IIA2	HR1500-IIA2	
General Specifications	Power Supply(V/Hz)	220-240/50	220-240/50	220-240/50	
	Power(VA)	1500	1500	1900	
	Power of Blower(W)	AC L=330,M=465,H=735	AC L=330,M=465,H=735	AC 650	
	Airflow Circulation	70% Downflow,30% Exhaust	70% Downflow,30% Exhaust	70% Downflow,30% Exhaust	
	Main Filter Typical Efficiency	ULPA ,U15,99.9995%@0.12um	ULPA ,U15,99.9995%@0.12um	ULPA ,U15,99.9995%@0.12um	
	Exhaust Filter Typical Efficiency	ULPA ,U15,99.9995%@0.12um	HEPA ,H14,99.995%@0.3um	HEPA ,H14,99.995%@0.3um	
	Exhaust Filter	Single	Single	Single	
	Filter's Brand	AAF	AAF	AAF	
	Downflow Velocity(m/s)	0.33	0.34	0.31	
	Inflow Velocity(m/s)	0.55	0.55	0.55	
Lighting Intensity (Lux)	≥900	≥900	≥900		
Sound Level(dB(A))	60	60	62		
Dimensions	Net/Gross Weight	kg	290/310	320/339	350/393
		lbs	639.3/683.4	705.5/747.4	771.6/866.4
	Internal Dimensions(W*D*H)	mm	920*620*650	1220*620*650	1520*620*650
		in	36.2*24.4*25.6	48.0*24.4*25.6	59.9*24.4*25.6
	External Dimensions(W*D*H) (Width without Armrest)	mm	1080*845(790)*2160	1380*845(790)*2160	1680*845(790)*2160
		in	42.5*33.3(31.1)*85.0	54.3*33.3(31.1)*85.0	66.1*33.5(31.1)*85.0
	Packing Dimensions(W*D*H)	mm	1185*925*1720	1475*935*1720	1785*932*1720
		in	46.7*36.4*67.7	58.1*36.8*67.7	70.3*36.7*67.7
Support Stand(mm)	680-900mm adjustable height(standard)				
Sash Opening(mm)	200(Max 490)				
Container load (20'/40'/40'H)	11/21/21				
Alarm Functions	Alarm	Sound and Flash			
	Closing Fan Alarm After Door Opening	Y			
	Door Ajar	Y			
	Abnormal Inflow	Y			
	Abnormal Downflow	Y			
	Door Open More than Limit	Y			
	Filter Clogging	Y			
	Filter Damage	Y			
	Filter Lifetime Lack	Y			
UV light Lifetime Lack	Y				
Accessories	UV Lamp	Y			
	Socket	2 Sockets			
	Valve Port	Standard with 2 Valve Port			
	Side Wall Service Taps	Standard gas tap and vaccum tap, optional compressed air tap and water tap			
	Antimicrobial Powder Coating	Optional			
	316SS Work Surface	Optional			
	Work Surface	One-piece			
	Touch Screen	N			
	Motorized Window	Optional			
	Foot Switch	Optional			
Armrest	Y				
Exhaust Duct Connection Kits	Optional				
Others	Certification	CE, UKCA,TUV			

*Haier Biomedical reserves the right to change products and specifications without prior notice.