



Glass and Solid Door
Models Available



Pharmacy Refrigerator

HYC-1031GD/FD



±1.5°C

Temperature Uniformity



2.48kWh

Energy Consumption



39dB(A)

Low Noise Level 39dB(A)

Scope of Application

Used for storage of medicines, vaccines, reagents, biological products and other items that require a temperature between 2-8°C in hospitals, pharmacies, pharmaceutical factories, clinics and laboratories etc.

Innovative Design

- High performance with low noise level
- Eco-friendly and energy saving
- Condensation free even at ambient 32°C & 80% RH
- Convenient monitoring and data export

Qingdao Haier Biomedical Co.,Ltd.

No.280 Feng Yuan Road, High-tech Zone,
Qingdao, 266109, P.R. China
E-mail: inquiry@haierbiomedical.com
Website: www.haiermedical.com



Haier Biomedical
International



Haier Biomedical
International



@haiermedicalint



Haier Biomedical
International



Haier Biomedical
International

Product Features



Eco-friendly hydrocarbon refrigerant (R290) and CFC- free polyurethane insulation for reduced global warming potential



Hermetically sealed compressor, forced-air circulation with auto defrost to ensure high cooling performance, temperature uniformity $\pm 1.5^{\circ}\text{C}$; anti- freezing thermostat is available to protect store items from freezing



HYC-1031GD:

Triple-paned tempered glass door with frame heater to reduce condensation even at 32°C , 80% RH ambient; self- closing door hinge; magnetic gaskets to ensure a positive seal

HYC-1031FD:

Self-closing door hinge; Magnetic gaskets to ensure a positive seal



Energy efficient interior LED lighting, side-mounted to enlighten full space



Optional USB module to easily record and export cabinet temperature and alarm data; optional RS485 port for easily external connection; optional printer to easily export cabinet temp data



Two 25mm probe access port on each side wall to accept user-provided monitoring equipment



Multiple alarm functions for safer monitoring, audible/visual alert with mute function; remote alarm contact is equipped as standard



Convenient security with a top-mounted unique-key lock



4 swivel casters with 2 leveling feet for easily movement and fixing



Digital controller with 0.1°C resolution with easy to check min/max temperature in the past 24 hours

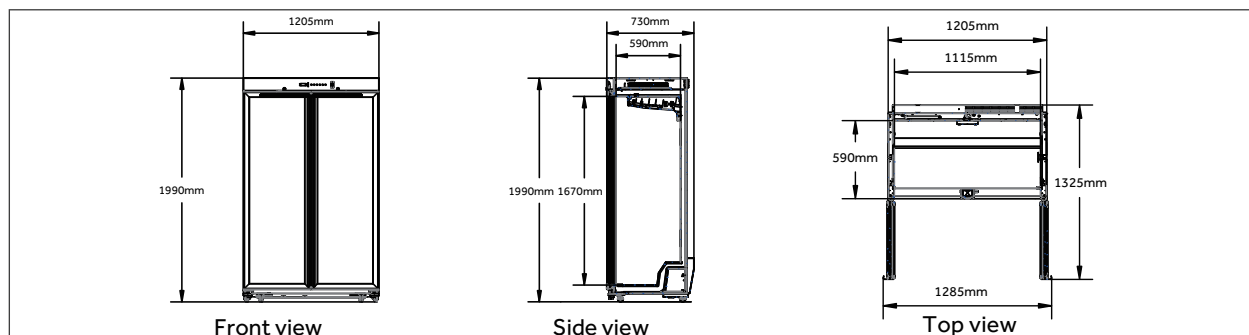


Adjustable plastic-coated wire shelves for improved circulation and flexible storage

Product Parts



Product Dimension



Specifications



Model		HYC-1031GD	HYC-1031FD	
Technical Data	Cabinet Type	Upright, Glass Door	Upright, Solid Door	
	Climate Class (°C)	N, 16-32	N, 16-32	
	Cooling Type	Forced Air Cooling	Forced Air Cooling	
	Defrost Mode	Auto	Auto	
	Refrigerant	R290	R290	
	Sound Level (dB(A))	39	39	
Performance	Temperature Range (°C)	2-8	2-8	
Control	Controller	Microprocessor	Microprocessor	
	Display	LED	LED	
Electrical Data	Power Supply (V/Hz)	220-240/50/60	220-240/50/60	
	Power(W)	380	380	
	Electrical Current (A)	2.2	2.2	
Performance Characteristics	Temperature Sensor	NTC	NTC	
	Power Consumption (kWh/24h)	2.48	2.48	
Dimensions	Capacity (L/Cu.Ft)	1031/36.4	1031 / 36.4	
	Net/Gross Weight (approx)	kg	255/265	255/265
		lbs	562/584	562/584
	Interior Dimensions (W*D*H)	mm	1115*590*1670	1115*590*1670
		in	43.9*23.2*65.7	43.9*23.2*65.7
	Exterior Dimensions (W*D*H)	mm	1205*800*1990	1205*830*1990
		in	47.4*31.5*78.3	47.4*32.7*78.3
	Packing Dimensions (W*D*H)	mm	1310*925*2150	1310*925*2150
		in	51.6*36.4*84.6	51.6*36.4*84.6
	Container Load (20'/40'/40'H)		10/21/21	10/21/21
Alarms	High/Low Temperature	Y	Y	
	High Ambient Temperature	Y	Y	
	Door Ajar	Y	Y	
	Power Failure	Y	Y	
	Low Battery	Y	Y	
	Sensor Error	Y	Y	
	Communication Failure	Y	Y	
	Condenser Heat	Y	Y	
	Remote Alarm	Y	Y	
	Audible and Visual Alarm	Y	Y	
Accessories	Caster	4	4	
	Foot	2	2	
	Porthole	2	2	
	Shelves/Drawers	14/-	14/-	
	Printer	Optional	Optional	
	Chart Recorder	N/A	N/A	
	USB Interface	Optional	Optional	
	RS485	Optional	Optional	
	Electromagnetic Lock	N/A	N/A	
	Plastic Basket	Optional	Optional	
Material	Exterior Material	Painted Steel	Painted Steel	
	Interior Material	Painted Steel	Painted Steel	
	Door Thickness (mm)	50	50	
	Cabinet Thickness (mm)	45	45	
	Shelves Material	Steel Wire, Coated with Plastic	Steel Wire, Coated with Plastic	
	No. of Shelves	12+2	12+2	
Others	Certification	CE, DIN13277 (Optional)	CE, DIN13277 (Optional)	

*Haier Biomedical reserves the right to change products and specifications without prior notice.