



HYC-85FD



Noise Level



Energy
Consumption



Reversible
Door Hinge

Pharmacy Refrigerator

Scope of Application

Used for storage of medicines, vaccines, reagents, biological products and other items that require a temperature between 2-8°C in hospitals, pharmacies, pharmaceutical factories, clinics and laboratories etc.

Innovative Design

- Multiple alarms for safer monitoring
- Magnetic gasket for positive seal
- Microprocessor controller, display with resolution of 0.1°C

Qingdao Haier Biomedical Co.,Ltd.

No.280 Feng Yuan Road, High-tech Zone,
Qingdao, 266109, P.R. China
E-mail: inquiry@haierbiomedical.com
Website: www.haiermedical.com



Haier Biomedical
International



Haier Biomedical
International



@haiermedicalint



Haier Biomedical
International



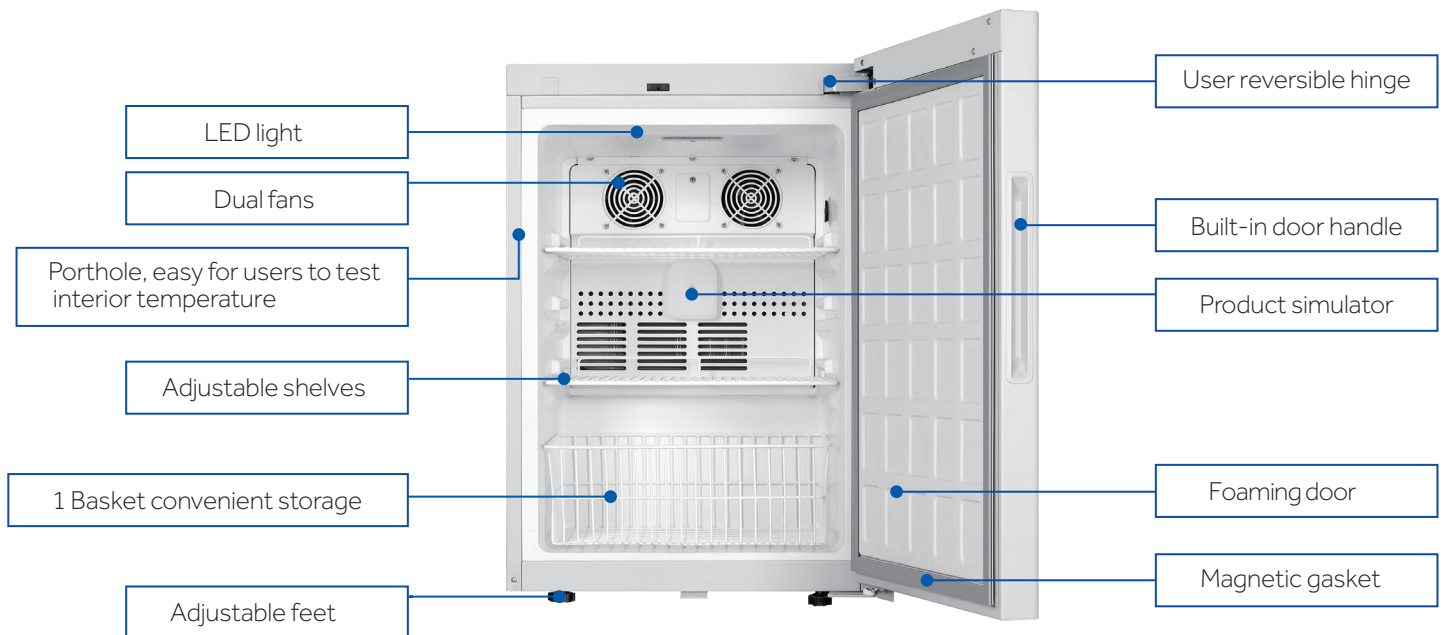
Haier Biomedical
International

Product Advantages

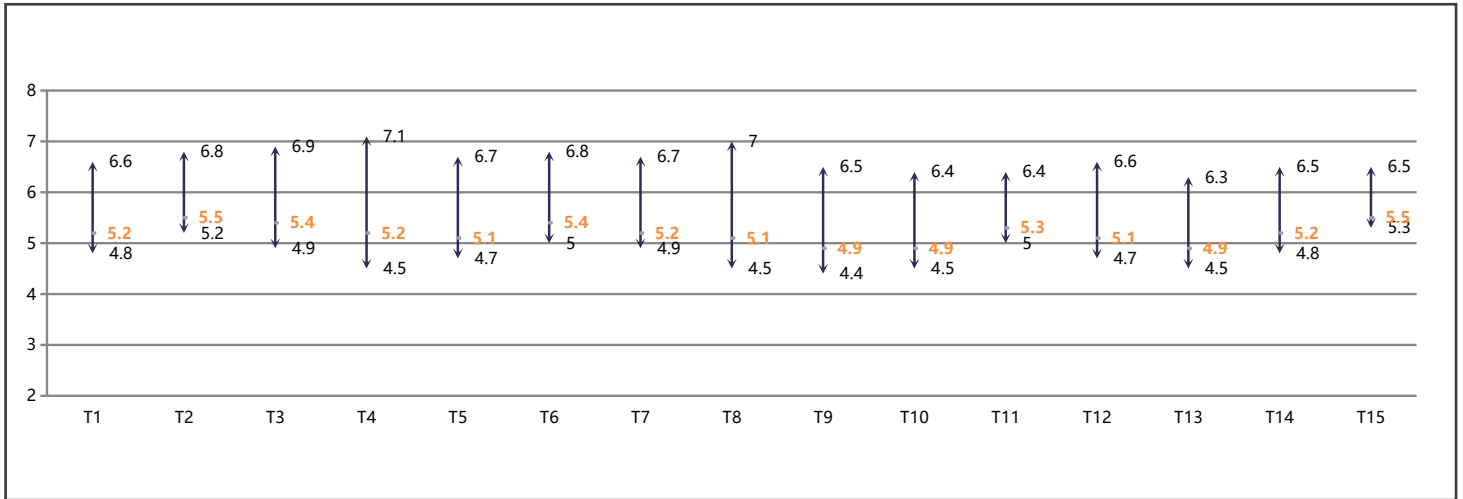
-  User reversible door hinge
-  Eco-friendly hydrocarbon refrigerant (R600a) and CFC-free polyurethane insulation for reduced global warming
-  Excellent performance: temperature uniformity $\leq 0.6^{\circ}\text{C}$ ^①
-  Hermetically sealed compressor, forced-air circulation and automatic defrost to ensure high cooling performance
-  Quiet operation: 35dB (A)
-  Microprocessor controller, display with resolution of 0.1°C
-  CFC-free foaming door, shading, good insulation
-  Magnetic gasket for positive seal
-  Optional USB and RS485, easy to export temperature data
-  Multiple alarms for safer monitoring

* ① Tested by TUV according to DIN13277

Product Parts



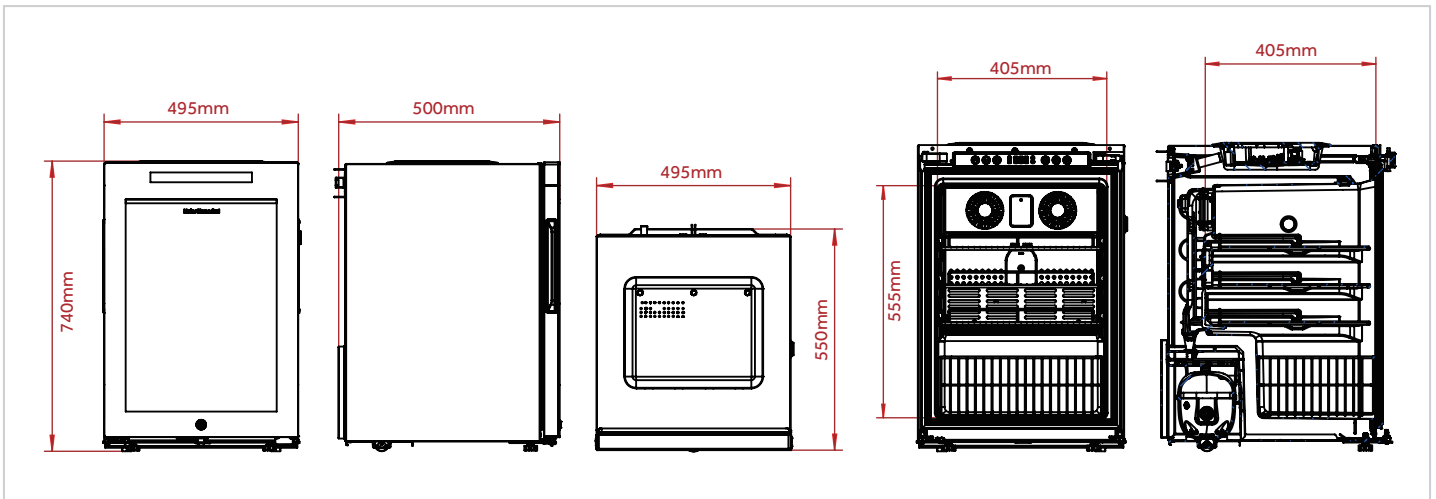
Cabinet Temperature



- Average ↓ Extended Measurement Uncertainty

* Tested by TUV according to DIN13277 (Ambient Temperature: 25°C Setpoint: 5°C Unloaded)

Product Dimension



Specifications



Model		HYC-85FD		
Technical Data	Cabinet Type	Counter-top / Under-counter, Solid Door		
	Climate Class	N, 16-32°C		
	Cooling Type	Forced Air Cooling		
	Defrost Mode	Auto		
	Refrigerant	HC		
	Sound Level (dB(A))	35		
Performance	Temperature Range (°C)	2-8		
Control	Controller	Microprocessor		
	Display	LED		
Electrical Data	Power Supply (V/Hz)	220-240/50		
	Electrical Current (A)	0.98		
Dimensions	Capacity (L/Cu.Ft)	85		
	Net/Gross Weight(approx)	kg	33 / 38	
		lbs	72.8 / 83.9	
	Interior Dimensions (W*D*H)	mm	405*405*555	
		in	15.9*15.9*21.9	
	Exterior Dimensions (W*D*H)	mm	495*550*740	
		in	19.5*21.7*29.1	
	Packing Dimensions (W*D*H)	mm	590*650*830	
in		23.2*25.6*32.7		
Container Load (20'/40'/40'H)		54/120/180		
Alarms	High/Low Temperature	Y		
	High Ambient Temperature	Y		
	Door Ajar	Y		
	Power Failure	Y		
	Low Battery	Y		
	Sensor Error	Y		
	Communication Failure	Y		
	Condenser Heat	N		
	Remote Alarm	Y		
Accessories	Caster	2		
	Foot	2		
	Porthole	1		
	Shelves/Basket	2/1		
	Printer	N/A		
	Chart Recorder	N/A		
	USB Interface	Optional		
	RS485	Optional		
Other	Certification	CE, UKCA, DIN13277 (optional)		

*Haier Biomedical reserves the right to change products and specifications without prior notice.