



**HYC-639**



Microprocessor Controller



Forced Air Cooling  
With Auto Defrost



Safe Monitoring

# Pharmacy Refrigerator

## Scope of Application

Used for storage of medicines, vaccines, reagents, biological products and other items that require a temperature between 2-8°C in hospitals, pharmacies, pharmaceutical factories, clinics and laboratories etc.

## Innovative Design

- Purpose-built for medical and laboratory use
- High performance with low noise level
- Eco-friendly and energy saving
- Condensation free even at ambient 32°C & 80% RH
- Convenient monitoring and data export

**Qingdao Haier Biomedical Co.,Ltd.**

No.280 Feng Yuan Road, High-tech Zone,  
Qingdao, 266109, P.R. China  
E-mail: [inquiry@haierbiomedical.com](mailto:inquiry@haierbiomedical.com)  
Website: [www.haiermedical.com](http://www.haiermedical.com)



Haier Biomedical  
International



Haier Biomedical  
International



@haiermedicalint









Haier Biomedical  
International



Haier Biomedical  
International

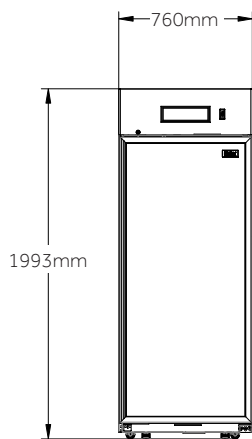
## Product Advantages

-  Eco-friendly hydrocarbon refrigerant (R600a) and CFC-free polyurethane insulation for reduced global warming potential
-  Microprocessor controller, digital display with 0.1°C resolution for accurate control
-  Hermetically sealed compressor, forced-air circulation with auto defrost to ensure high cooling performance to keep cabinet temperature between 2~8°C
-  Self-closing door with magnetic gaskets to ensure a positive seal
-  Double-layer tempered glass door with electronic heater to reduce condensation even at 32°C, 80% RH ambient
-  Multiple alarm functions for safer monitoring, audible/visual alert with mute function; remote alarm contacts as standard in rear of the unit
-  Convenient security with a top-mounted unique-key lock as well as a hasp for padlock
-  Easy to check the min/max temperature in the past 24 hours
-  Adjustable plastic-coated wire shelves for improved circulation and flexible storage
-  Energy efficient interior LED lighting
-  25mm probe access port to accept user-provided monitoring equipment
-  Optional USB, optional printer, optional RS 485
-  Dish bottom design to contain spills
-  4 swivel casters with 2 leveling feet

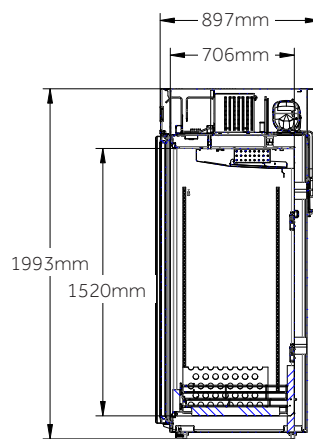
**Product Parts**



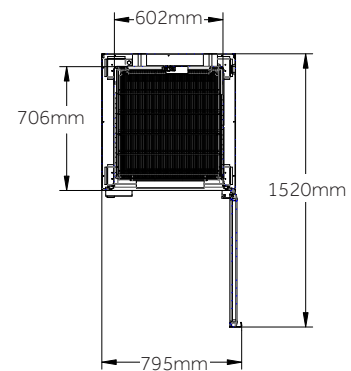
**Product Dimension**



Front view



Side view



Top view

**Specifications**



Model		HYC-639	
Technical Data	Cabinet Type	Upright, Single Door	
	Climate Class	ST	
	Cooling Type	Forced Air Cooling	
	Defrost Mode	Auto	
	Refrigerant	HC	
	Sound Level (dB(A))	43	
Performance	Temperature Range (°C)	2~8	
Control	Controller	Microprocessor	
	Display	LED	
Electrical Data	Power Supply (V/Hz)	220~240/50	
	Electrical Current (A)	2.15	
Dimensions	Capacity (L/Cu.Ft)	639/22.6	
	Net/Gross Weight (approx)	kg	200/240
		lbs	551.15/639.33
	Interior Dimensions (W*D*H)	mm	620*706*1520
		in	24.4*27.8*59.8
	Exterior Dimensions (W*D*H)	mm	760*897*1993
		in	29.9*35.3*78.5
	Packing Dimensions (W*D*H)	mm	910*1030*2170
in		35.8*40.6*85.4	
Container Load (20'/40'/40'H)		12/24/24	
Alarms	High/Low Temperature	Y	
	Remote Alarm	Y	
	Power Failure	Y	
	Sensor Error	Y	
	Low Battery	Y	
	Door Ajar	Y	
Accessories	Caster	Y/4	
	Foot	Y/2	
	Porthole	Y	
	Shelves/Drawers	4/-	
	USB Interface	Y	
	Printer	Optional	
Others	Certification	CE, UKCA	

\*Haier Biomedical reserves the right to change products and specifications without prior notice.