

Laminar Flow Cabinet



HCB-900V
HCB-1300V
HCB-1600H

Scope of Application:

A professional localized air purification equipment suitable for pharmaceuticals, medical and health, scientific research laboratories of universities and colleges, photoelectric/microelectronics manufacturing and other fields

Innovative Design

- Split type chassis for easy installation and movement
- Delay start of UV sterilization to avoid UV damage
- One-key operation, convenient and secure

Qingdao Haier Biomedical Co.,Ltd.

No.280 Feng Yuan Road, High-tech Zone,
Qingdao, 266109, P.R. China
E-mail: inquiry@haierbiomedical.com
Website: www.haiermedical.com



Haier Biomedical
International



Haier Biomedical
International



@haiermedicalint



Haier Biomedical
International



Haier Biomedical
International

Product Advantages



Manufactured with an internationally branded moisture-proof and flame-retardant glass fiber high efficiency particulate air filters (HEPA), which ensures a filtration efficiency of 99.99% or above for particles of 0.3um or above



The air cleanliness conforms to Class 5 of the ISO14644.1 Standard, and is better than Class 100 cleanliness requirements



Adopting built-in lighting to prevent the eyes from being exposed to the fluorescent lamp and thus avoids eye strain



With the industry's first pre-cleaning function: namely pre-cleaning the workspace before sample treatment so as to further improve the protection of samples



One-key operation, convenient and secure:

- With a timed UV lamp turnoff function, it is adjustable between 0 and 99 minutes Interlock function, avoiding the risk of mis-operation
- With the lighting lamp and UV lamp interlock function; the UV lamp can only be lit when the lighting lamp is off. After the fluorescent lamp turned on, the UV lamp will be turned off immediately so that the risk of mis-operation can be reduced to zero

Friendly Design



Ergonomic design, making work easier

The table top is 800mm high from the ground, which is suitable for both standing and sitting operations, relieving any fatigue issues and makes work easy



Split type chassis for easy installation and movement

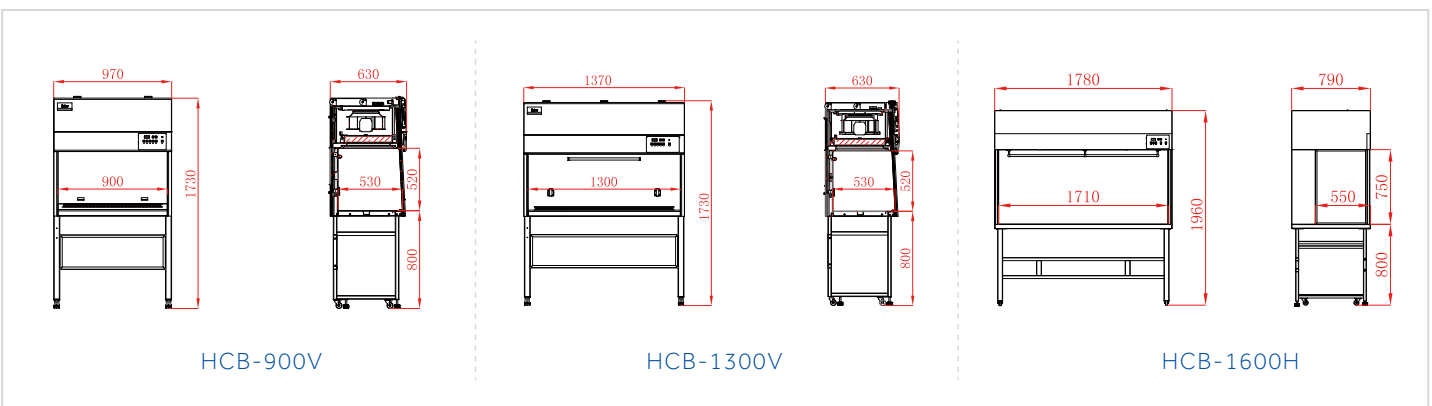
With separated chassis, cabinet body and universal casters with adjustable feet for easy movement and fixation



Delay start of UV sterilization to avoid UV damage

- After the UV lamp switch is pressed down, there will be sound and light signals to remind the operators to leave immediately and the UV lamp will light up after a delay of 10 seconds to protect the operator from ultraviolet radiation
- The UV sterilization timed start function ensures less down time of usage and higher efficiencies from the user

Product Dimension Drawings



Specifications



Model		HCB-900V	HCB-1300V		HCB-1600H
Flow Type		Vertical	Vertical	Vertical	Horizontal
Voltage/Frequency (V/Hz)		220/50	115/60	220/50	220/50/60
Power (W)		1200	1200	1200	350
Vibration Amplitude (UM)		2	2	2	2
Exhaust Filter Typical Efficiency		H13 HEPA, 99.99%@0.3um	H13 HEPA, 99.99%@0.3um	H13 HEPA, 99.99%@0.3um	H13 HEPA, 99.99%@0.3um
Average Velocity (M/S)		0.2-0.4	0.2-0.4	0.2-0.4	0.2-0.4
Fluorescent Lamp Intensity (Lux)		≥300	≥300	≥300	≥1000
Sound Level (dB(A))		60	60	60	61
Sash Opening(mm)		Max 310	Max 310	Max 310	/
Net/Gross Weight	kg	115/145	145/171	145/171	165/214
	lbs	254/319	320/376	320/376	363.7/471
Internal Dimensions (W*D*H)	mm	900*530*520	1300*530*520	1300*530*520	1710*550*750
	in	35.4*20.9*20.5	51.2*20.9*20.5	51.2*20.9*20.5	67.3*21.7*29.6
External Dimensions (W*D*H)	mm	970*630*1730	1370*630*1730	1370*630*1730	1780*790*1960
	in	38.2*24.8*68.1	53.9*24.8*68.1	53.9*24.8*68.1	70.1*31.1*77.2
Packing Dimensions (W*D*H)	mm	1100*750*1290	1510*770*1280	1510*770*1280	1875*940*1410
	in	43.3*29.5*50.8	59.4*30.3*50.4	59.4*30.3*50.4	73.8*37.0*55.5
UV Lamp		Y	Y	Y	Y
Power Outlet Socket		2 Sockets	2 Sockets	2 Sockets	/
Conversion Socket		Optional	Optional	Optional	/
Support Stand (mm)		755mm (standard)	755mm (standard)	755mm (standard)	765mm (standard)
Cleanliness Classification		ISO 14644.1 Class 5	ISO 14644.1 Class 5	ISO 14644.1 Class 5	ISO 14644.1 Class 5
Container Load (20'40'40'H)		15/33/33	10/22/22	10/22/22	6/12/12
Certification		CE	/	CE	CE

*Haier Biomedical reserves the right to change products and specifications without prior notice.