

-40°C Biomedical Freezer



DW-40L298J/418D/528D



Environmental Protection



Superior Uniformity



HC Energy-saving

Scope of Application

Suitable for the storage of plasma, biological material, reagents and other essential items. Used within hospitals, disease prevention, academia and commercial laboratories.

Innovative Design

- Low noise
- Environmentally-friendly
- Superior uniformity
- Energy saving hydrocarbon technology
- Multiple alarms ensure the safety of the stored samples
- Adjustable shelves to facilitate and customize storage space

Qingdao Haier Biomedical Co.,Ltd.

No.280 Feng Yuan Road, High-tech Zone,
Qingdao, 266109, P.R. China
E-mail: inquiry@haierbiomedical.com
Website: www.haiermedical.com



Haier Biomedical
International



Haier Biomedical
International



@haiermedicalint



Haier Biomedical
International



Haier Biomedical
International

Product Advantages



HC energy-saving

High efficiency hydrocarbon compressor and refrigeration technology for a lower energy consumption



Environmental protection

Hydrocarbon refrigerant, LBA foam polyurethane insulation layer



Superior uniformity

With the optimized system design, the temperature uniformity of the characteristic point is $\pm 3^{\circ}\text{C}$, and the uniformity of the whole temperature zone is controlled within $\pm 5^{\circ}\text{C}$



Adjustable shelves

Built-in evaporator and adjustable shelves provides large available interior space. Users can store items of different sizes as needed

Ergonomic Design



Low noise

Optimized hydrocarbon system and structure noise reduction design ensures low noise output and quieter operation



Complete configuration

Optional USB interface, chart recorder, RS485, stainless steel shelf, plastic drawer and plastic basket



Multiple alarms

Including high/low temperature alarm, sensor error alarm, power failure alarm, door ajar alarm, high ambient temperature alarm, low battery alarm
Alarm mode: Audible/visual and remote alarm



Microcomputer control

Microcomputer electronic temperature controller, LED digital display, display precision is 0.1°C , the adjustable temperature range is -20°C to -40°C



DW-40L298J



DW-40L418D



DW-40L528D

Product Parts

Control Panel

Microcomputer electronic temperature controller, LED digital display, display precision is 0.1°C

Porthole

Equipped with two standard portholes (inner diameter 25mm) on the left and right sides of the freezer, convenient for users to conduct independent testing

Adjustable Shelves

The adjustable shelves ensure the maximum usage efficiency of the internal space, and users can store items of different sizes as needed

Feet and Casters

4 back-and-forth casters and 2 adjustable feet for easy moving and leveling

Safety Lock



Mechanical lock and lock catch, separate key for the two standard mechanical locks and the lock catch allows the users equip the padlock if necessary. Secure and safe storage, convenient for multiple users

USB Interface (Optional)

Enables users to download historical temperature data

Chart Temperature Recorder (Optional)

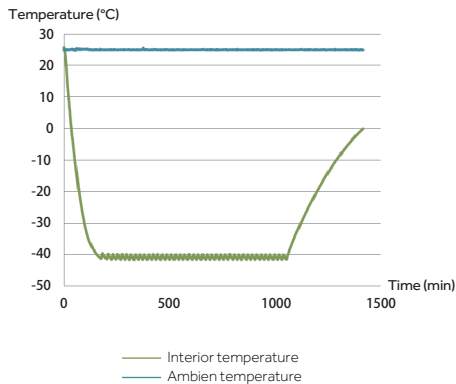
Logs temperature over a 7-day period and tracks trends in real-time, hard copies can be retained for compliance



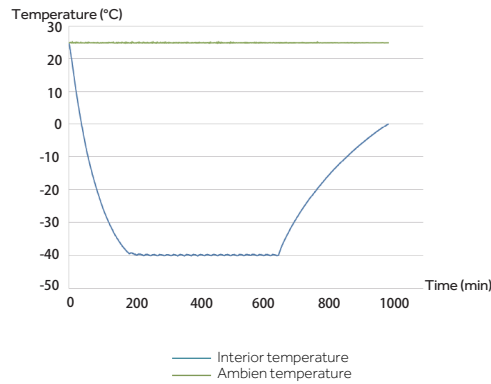
DW-40L528D

Cabinet Temperature

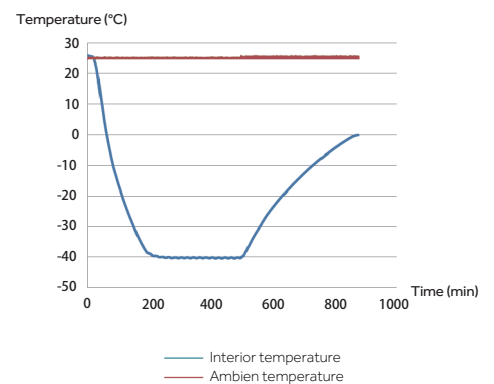
DW-40L298J Typical Performance Characteristics at 25°C ambient



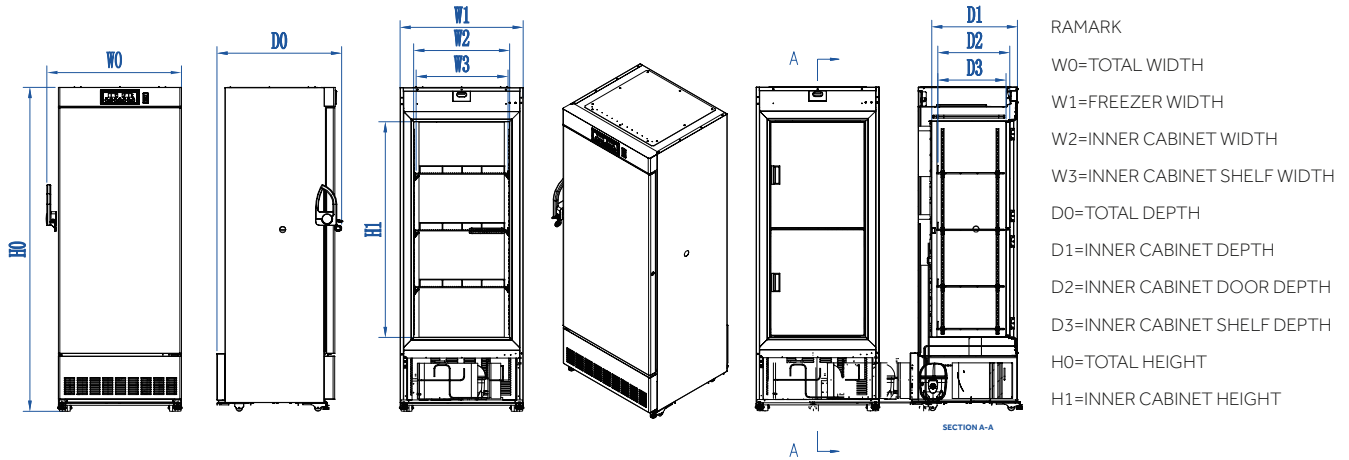
DW-40L418D Typical Performance Characteristics at 25°C ambient



DW-40L528D Typical Performance Characteristics at 25°C ambient

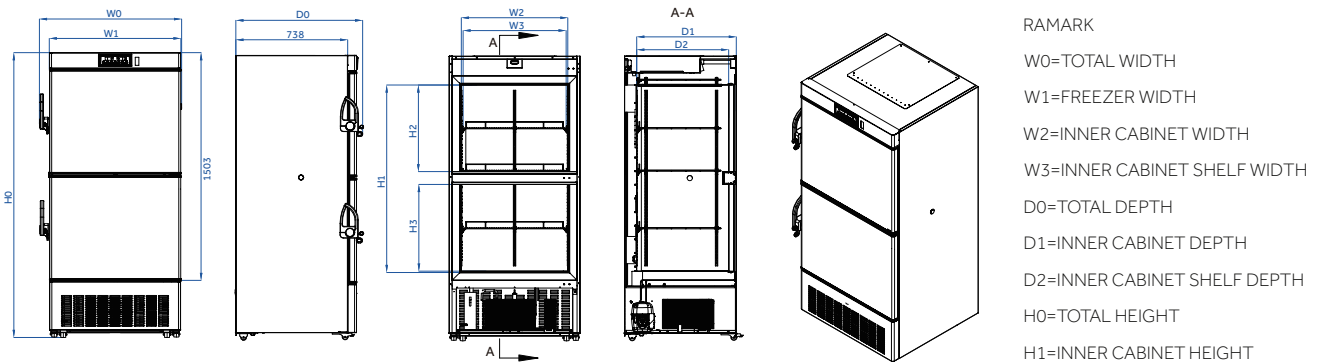


Product Dimensions



RAMARK
 W0=TOTAL WIDTH
 W1=FREEZER WIDTH
 W2=INNER CABINET WIDTH
 W3=INNER CABINET SHELF WIDTH
 D0=TOTAL DEPTH
 D1=INNER CABINET DEPTH
 D2=INNER CABINET DOOR DEPTH
 D3=INNER CABINET SHELF DEPTH
 H0=TOTAL HEIGHT
 H1=INNER CABINET HEIGHT

| MODEL | CODE (mm) | | | | | | | | | |
|------------|-----------|-----|-----|-----|-----|-----|-----|-----|------|------|
| | W0 | W1 | W2 | W3 | D0 | D1 | D2 | D3 | H0 | H1 |
| DW-40L298J | 770 | 695 | 541 | 518 | 710 | 484 | 443 | 384 | 1828 | 1218 |



RAMARK
 W0=TOTAL WIDTH
 W1=FREEZER WIDTH
 W2=INNER CABINET WIDTH
 W3=INNER CABINET SHELF WIDTH
 D0=TOTAL DEPTH
 D1=INNER CABINET DEPTH
 D2=INNER CABINET SHELF DEPTH
 H0=TOTAL HEIGHT
 H1=INNER CABINET HEIGHT
 H2=INNER CABINET SHELF HEIGHT
 H3=INNER CABINET SHELF HEIGHT

| MODEL | CODE (mm) | | | | | | | | | | |
|------------|-----------|-----|-----|-----|------|------|-----|-----|-----|-----|-----|
| | W0 | W1 | W2 | W3 | H0 | H1 | H2 | H3 | D0 | D1 | D2 |
| DW-40L528D | 940 | 865 | 704 | 680 | 1878 | 1230 | 572 | 572 | 845 | 657 | 620 |
| DW-40L418D | 790 | 715 | 554 | 550 | 1878 | 1230 | 572 | 572 | 845 | 657 | 620 |

*Haier Biomedical reserves the right to change products and specifications without prior notice.

Specifications



| | Model | DW-40L298J | DW-40L298JA | DW-40L418D | DW-40L528D | DW-40L528DA | |
|----------------------|-------------------------------|----------------|----------------|----------------|----------------|----------------|--|
| Technical Data | Cabinet Type | Upright | | Upright | Upright | | |
| | Climate Class | SNN | | SNN | SNN | | |
| | Cooling Type | Direct Cooling | | Direct Cooling | Direct Cooling | | |
| | Defrost Mode | Manual | | Manual | Manual | | |
| | Refrigerant | HC | | HC | HC | | |
| | Sound Level (dB(A)) | 40 | 41 | 40 | 39 | 41 | |
| Performance | Cooling Performance (°C) | -40 | | -40 | -40 | | |
| | Temperature Range (°C) | -20--40 | | -20--40 | -20--40 | | |
| Control | Controller | Microprocessor | | Microprocessor | Microprocessor | | |
| | Display | LED | | LED | LED | | |
| Electrical Data | Power Supply (V/Hz) | 220-240/50 | 208-230/60 | 220-240/50 | 220-240/50 | 208-230/60 | |
| | Electrical Current (A) | 3.3 | 2 | 2.9 | 2.9 | 2.6 | |
| Dimensions | Capacity (L/Cu.Ft) | 298/10.5 | | 418/14.8 | 531/18.8 | | |
| | Net/Gross Weight (approx) | (kg) | 125/140 | | 145/165 | 180/205 | |
| | | (lbs) | 275.6/308.6 | | 319.7/363.8 | 396.8/451.9 | |
| | Interior Dimension (W*D*H) | (mm) | 541*443*1218 | | 554*620*1230 | 704*620*1230 | |
| | | (in) | 21.3*17.4*48.0 | | 21.8*24.4*48.4 | 27.7*24.4*48.4 | |
| | Exterior Dimension (W*D*H) | (mm) | 770*710*1828 | | 790*845*1878 | 940*845*1878 | |
| | | (in) | 30.3*28.0*72.0 | | 31.1*33.3*73.9 | 37.0*33.3*73.9 | |
| | Packing Dimension (W*D*H) | (mm) | 840*770*2000 | | 860*930*2040 | 1005*940*2040 | |
| (in) | | 33.0*30.3*78.7 | | 33.9*36.6*80.3 | 39.6*37.0*80.3 | | |
| | Container Load (20'/40'/40'H) | 21/42/42 | | 12/24/26 | 10/22/24 | | |
| Alarms | High/Low Temperature | Y | | Y | Y | | |
| | Remote Alarm | Y | | Y | Y | | |
| | Power Failure | Y | | Y | Y | | |
| | Sensor Error | Y | | Y | Y | | |
| | Low Battery | Y | | Y | Y | | |
| | High Ambient Temperature | Y | | Y | Y | | |
| | Dirty Condenser | N | | N | N | | |
| | Door Ajar | Y | | Y | Y | | |
| Accessories | Castor | Y | | Y | Y | | |
| | Leveling Feet | Y | | Y | Y | | |
| | Porthole | Y | | Y | Y | | |
| | Drawers/Inner Doors | Optional/2 | | Optional/N | Optional/N | | |
| | Adjustable Shelves | Y (3) | | Y (3) | Y (3) | | |
| | USB Interface | Optional | | Optional | Optional | | |
| | RS485 | Optional | | Optional | Optional | | |
| | NFC | N | | N | N | | |
| Temperature Recorder | Optional | | Optional | Optional | | | |
| Others | Certificate | CE | CE | CE | CE | CE | |

*Haier Biomedical reserves the right to change products and specifications without prior notice.