



HYC-461GD



Eco-friendly
Hydrocarbon Refrigerant



3.5kWh
Energy Consumption



±1.5°C
Temperature Uniformity

Pharmacy Refrigerator

Scope of Application

Used for storage of medicines, vaccines, reagents, biological products and other items that require a temperature between 2-8°C in hospitals, pharmacies, pharmaceutical factories, clinics and laboratories etc.

Innovative Design

- ◎ Purpose-built for medical and laboratory use
- ◎ High performance with low noise level
- ◎ Eco-friendly and energy saving
- ◎ Condensation free even at ambient 32°C & 80% RH
- ◎ Convenient monitoring and data export

Qingdao Haier Biomedical Co.,Ltd.

No.280 Feng Yuan Road, High-tech Zone,
Qingdao, 266109, P.R. China
E-mail: inquiry@haierbiomedical.com
Website: www.haiermedical.com



Haier Biomedical
International



Haier Biomedical
International



@haiermedicalint



Haier Biomedical
International



Haier Biomedical
International

Product Features



Eco-friendly hydrocarbon refrigerant (R600a) and CFC- free polyurethane insulation for reduced global warming potential



Hermetically sealed compressor, forced-air circulation with auto defrost to ensure high cooling performance, temperature uniformity $\leq \pm 1.5^{\circ}\text{C}$; anti-freezing thermostat is available to protect store items from freezing



Triple-paned tempered glass door with frame heater to reduce condensation even at 32°C , 80% RH ambient; self-closing door hinge; magnetic gaskets to ensure a positive seal



Energy efficient interior LED lighting, side-mounted to enlighten full space



Optional USB module to easily record and export cabinet temperature and alarm data; optional RS485 port for easily external connection; optional printer to easily export cabinet temp data



A $\varnothing 25\text{mm}$ probe access port is standard on side wall to accept user-provided monitoring equipment



Multiple alarm functions for safer monitoring, audible/visual alert with mute function; remote alarm contact is equipped as standard



Convenient security with a top-mounted unique-key lock



4 swivel casters with 2 leveling feet for easily movement and fixing

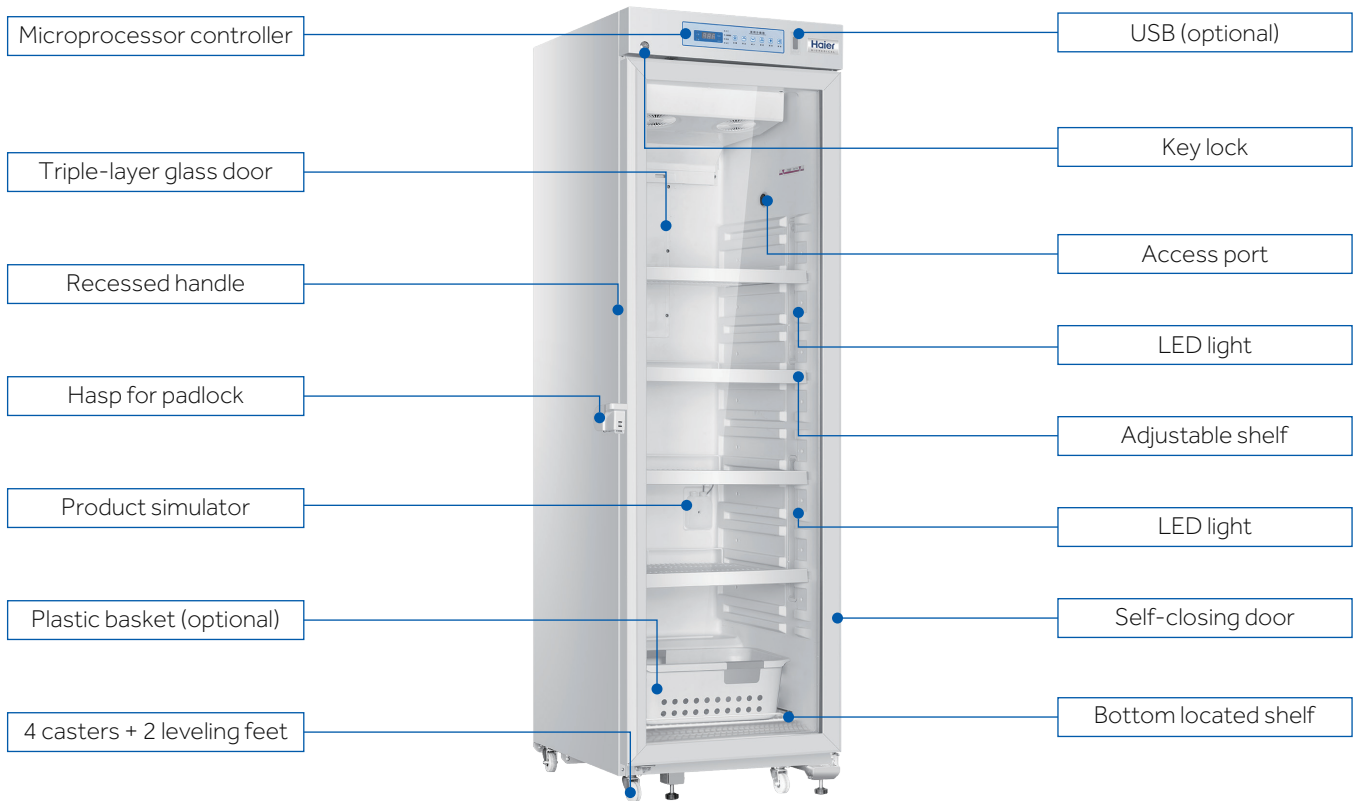


Microprocessor controller, digital display with 0.1°C resolution; easy to check the min/max temperature in the past 24 hours

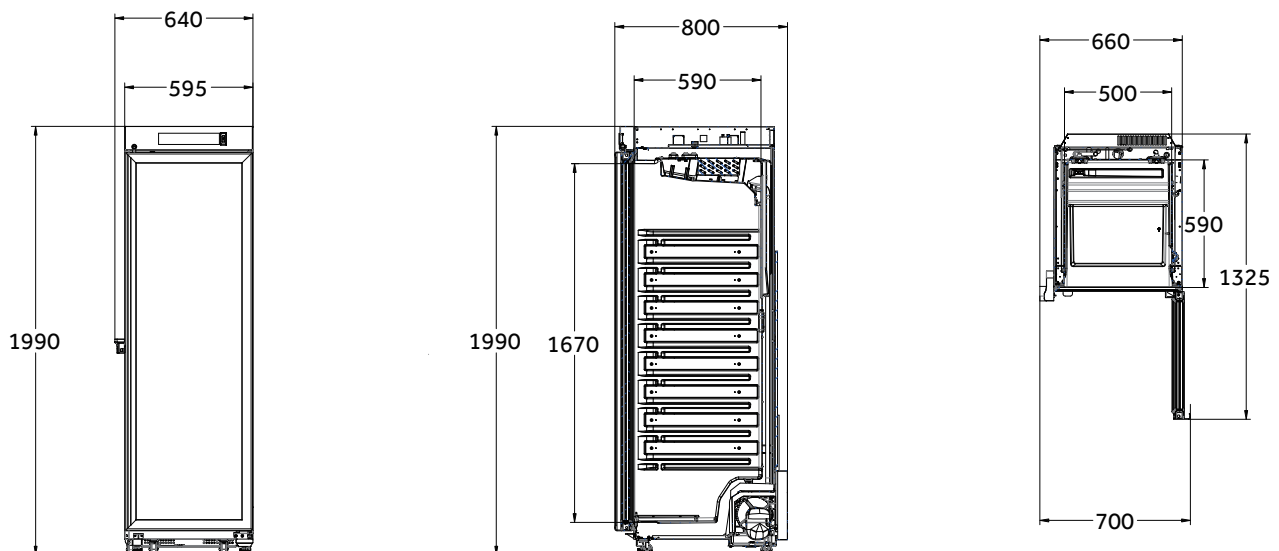


Adjustable plastic-coated wire shelves for improved circulation and flexible storage

Product Details



Product Dimension



Specifications



Model		HYC-461GD	
Technical Data	Cabinet Type	Upright, Glass Door	
	Climate Class	N, 16-32°C	
	Cooling Type	Forced Air Cooling	
	Defrost Mode	Auto	
	Refrigerant	HC	
	Sound Level (dB(A))	37	
Performance	Temperature Range (°C)	2-8	
Control	Controller	Microprocessor	
	Display	LED	
Electrical Data	Power Supply (V/Hz)	220-240/50	
	Electrical Current (A)	1.7	
Dimensions	Capacity (L/Cu.Ft)	461/16.3	
	Net/Gross Weight (approx)	(kg)	115/125
		(lbs)	254/276
	Interior Dimensions (W*D*H)	(mm)	500*590*1670
		(in)	19.7*23.2*65.7
	Exterior Dimensions (W*D*H)	(mm)	595*800*1990
		(in)	23.4*31.5*78.3
	Packing Dimensions (W*D*H)	(mm)	720*930*2100
(in)		28.3*36.6*82.7	
Container Load (20'/40'/40'H)		18/37/37	
Alarms	High/Low Temperature	Y	
	High Ambient Temperature	Y	
	Door Ajar	Y	
	Power Failure	Y	
	Low Battery	Y	
	Sensor Error	Y	
	Communication Failure	Y	
	Condenser Heat	Y	
	Remote Alarm	Y	
Accessories	Caster	4	
	Foot	2	
	Porthole	2	
	Shelves/Drawers	6/-	
	Printer	Optional	
	USB Interface	Optional	
	RS485	Optional	
Others	Certification	CE, DIN13277 (optional)	

*Haier Biomedical reserves the right to change products and specifications without prior notice.