



**HYC-1030GT**



Excellent Temperature  
Uniformity of  $\pm 1^{\circ}\text{C}$



Low Energy Consumption  
of 2.2kWh/day



Quiet Operation  
With 37dB(A)

# Pharmacy Refrigerator

## Scope of Application

Used for storage of medicines, vaccines, reagents, biological products and other items that require a temperature between 2-8°C in hospitals, pharmacies, pharmaceutical factories, clinics and laboratories as key examples.

## Innovative Design

- Ergonomic design with high performance, low energy consumption and low noise level
- Eco-friendly hydrocarbon refrigerant and CFC-free insulation for reduced GWP
- Purpose-built for medical and laboratory use
- Condensation free even at ambient 32°C & 80% RH
- Multiple alarm functions for safer monitoring
- Self-closing door hinge with 90° stop

**Qingdao Haier Biomedical Co.,Ltd.**

No.280 Feng Yuan Road, High-tech Zone,  
Qingdao, 266109, P.R. China  
E-mail: [inquiry@haierbiomedical.com](mailto:inquiry@haierbiomedical.com)  
Website: [www.haiermedical.com](http://www.haiermedical.com)



Haier Biomedical  
International



Haier Biomedical  
International



@haiermedicalint



Haier Biomedical  
International



Haier Biomedical  
International

## Product Features



Ergonomic & innovative design, 7" touch screen, easy to check the cabinet temperature, alarm & event records; authority management is standard to avoid unauthorized access or change in settings



Triple-paned tempered glass door with frame heater to reduce condensation even at 32 ° C, 80% RH ambient; self-closing door with 90 ° stop; magnetic gaskets to ensure a positive seal



Multiple alarm functions for safer monitoring, audible/visual alert with mute function; remote alarm contact is equipped as standard



Anti-freezing thermostat is available to protect store items from freezing, which is DIN13277 compliance



Energy efficient interior LED lighting, side-mounted for complete clear visibility of the internal area



Standard USB module to easily record and export cabinet temperature and alarm data; Standard RS485 port and remote alarm contact for ease of external connection; optional printer to efficiently export cabinet temp data



Microprocessor controller, smart inverter compressor, optimized air-cooling technology with auto defrost to ensure excellent cooling performance, defrost water to evaporate automatically



Two 25mm probe access ports on each side wall to accept user-provided monitoring equipment



Adjustable plastic-coated wire shelves for improved circulation and flexible storage, 4 swivel casters with 2 leveling feet for easy movement and fixing

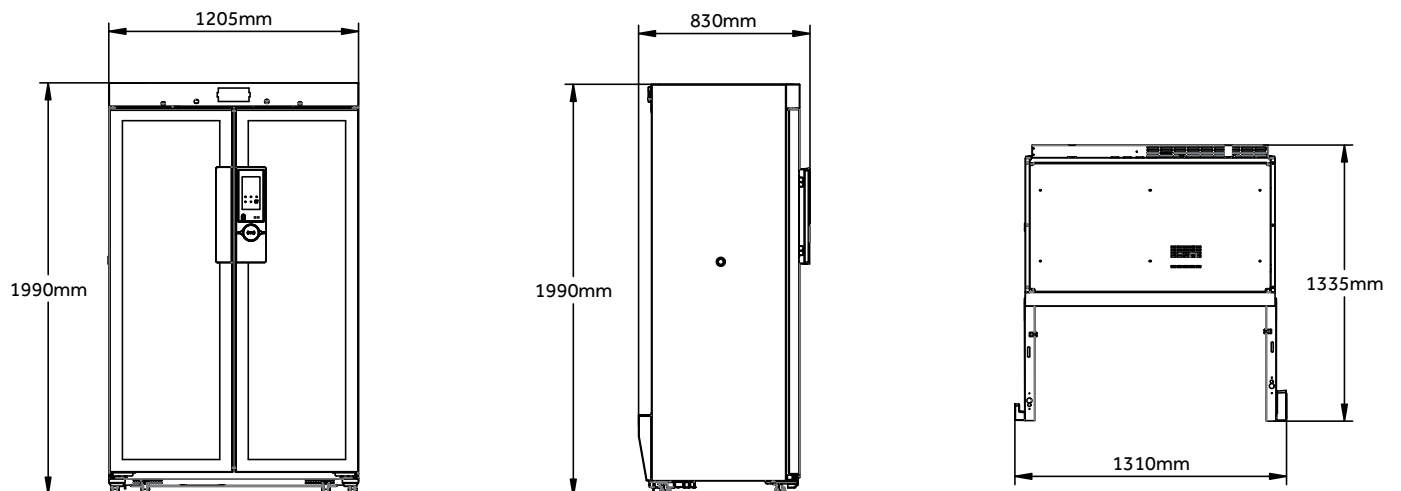


Electromagnetic lock is standard to avoid unauthorized access

**Product Details**



**Product Dimension**



**Specifications**



	Model		HYC-1030GT
<b>Technical Data</b>	Cabinet Type		Upright, Glass Door
	Climate Class		N, 16~32°C
	Cooling Type		Forced Air Cooling
	Defrost Mode		Auto
	Refrigerant		HC
	Sound Level (dB(A))		37
<b>Performance</b>	Temperature Range (°C)		2-8
<b>Control</b>	Controller		Microprocessor
	Display		LED
<b>Electrical Data</b>	Voltage		220-240/50/60
	Energy Consumption (kWh/24h)		2.2
	Capacity (L/Cu.Ft)		1030 / 36.4
<b>Dimensions</b>	Net/Gross Weight (approx)	(kg)	265/275
		(lbs)	584/606
	Interior Dimensions (W*D*H)	(mm)	1115*590*1670
		(in)	43.9*23.2*65.7
	Exterior Dimensions (W*D*H)	(mm)	1205*830*1990
		(in)	47.4*32.7*78.3
	Packing Dimensions (W*D*H)	(mm)	1310*925*2150
		(in)	51.6*36.4*84.6
Container Load (20'/40'/40'H)		10/21/21	
High/Low Temperature		Y	
<b>Alarms</b>	High Ambient Temperature		Y
	Door Ajar		Y
	Remote Alarm		Y
	Power Failure		Y
	Low Battery		Y
	Sensor Error		Y
	Communication Failure		Y
	Condenser Overheat		Y
<b>Accessories</b>	Caster		4
	Foot		2
	Porthole		2
	Shelves/Drawers		14/-
	Plastic Basket		Optional
	Printer		Optional
	USB Interface		Standard
	Electromagnetic Lock		Standard
<b>Others</b>	Certification		CE, DIN13277 (optional)

\*Haier Biomedical reserves the right to change products and specifications without prior notice.