

Plasma Contact Shock Freezer



XSD-48WFL

Scope of Application:

Mainly applicable to the quick-frozen treatment of plasma products in blood stations or medical institutions.

Innovative Design

- ◎ Precise temperature control
- ◎ Double layer, split machine
- ◎ Good heat dissipation
- ◎ Low noise
- ◎ Traceability of each freezing cycle
- ◎ Maximum freezing efficiency
- ◎ Low freezing temperature
- ◎ Large capacity

Haier Biomedical Co.,Ltd.

No.280 Feng Yuan Road, High-tech Zone,
Qingdao, 266109, P.R. China
E-mail: inquiry@haierbiomedical.com
Website: www.haiermedical.com



Haier Biomedical
International



Haier Biomedical
International



@haiermedicalint



Haier Biomedical
International



Haier Biomedical
International

Ergonomic Design



Flexible set up

The storage temperature, freezing time, and defrosting time can be flexibly set as required



Simple operation

All pre-cooling, freezing, defrosting procedures are controlled by PLC control module, simple operation, avoid wrong operation, ensure plasma safety



Rapid-freezing tray design

Rapid-freezing tray design, not only to improve the efficiency of plasma rapid-freezing, but also easy to save labor



Electric lifting system

Height control is more accurate and quieter than pneumatic lifting system



Password protection

Parameter setting is password protected to ensure plasma safety



Friendly interface

Friendly interface display design, clearer temperature observation

Product Advantages



Low rapid-freezing temperature

Rapid-freezing temperature can be reduced to -60°C , superior performance



Data is printable and the information traceable

Plasma storage data and corresponding curves can be exported via USB, which is convenient for information traceability



Precise temperature control, control precision 1°C

PLC control module, the system is stable and reliable, temperature control precision 1°C , to ensure the safety of plasma



Plate Rapid-Freezing, efficient Cooling

The central temperature of full-load plasma can be quickly frozen to below -30°C within 45 minutes, which effectively guarantees the activity of factor VIII



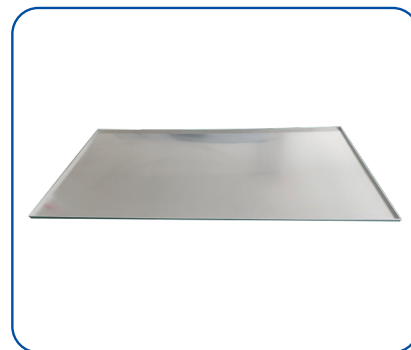
Efficient core components, energy saving

High efficiency compressor and dual-cooling system, better performance; Hydrocarbon refrigerant, energy saving and environmental protection

Optional Accessories



Trolley



Tray

Product Features



Plasma Contact Shock Freezer

Plate rapid-freezing

Blood bags are placed between the upper and lower cold plates to achieve rapid freezing through contact and heat conduction. The appearance of quick-frozen blood bags is smooth.

Double stage cooling system

The refrigeration efficiency is 20% higher than that of single stage. The double-stage compressor is more stable, more efficient and faster than single stage compressor under lower temperature conditions.

Energy-saving Frequency conversion fan

Automatically adjust the wind speed according to the requirements of the refrigeration system, and operates at a low speed during the system stable stage, resulting in lower noise and reduced energy consumption.

Intelligent screen

The 10-inch touch screen is convenient to view the temperature curve and data, record the rapid-freezing time in real time, and adjust the temperature parameters through the display screen, which is efficient and fast.

Product Parts



Three phase fan, with more air volume and better performance

Direct contact refrigeration, improve the heat transfer rate

PLC control, stable and reliable



V-type condenser, high condensation efficiency

Intelligent 10 inch screen allows to adjust the parameters according to requirements

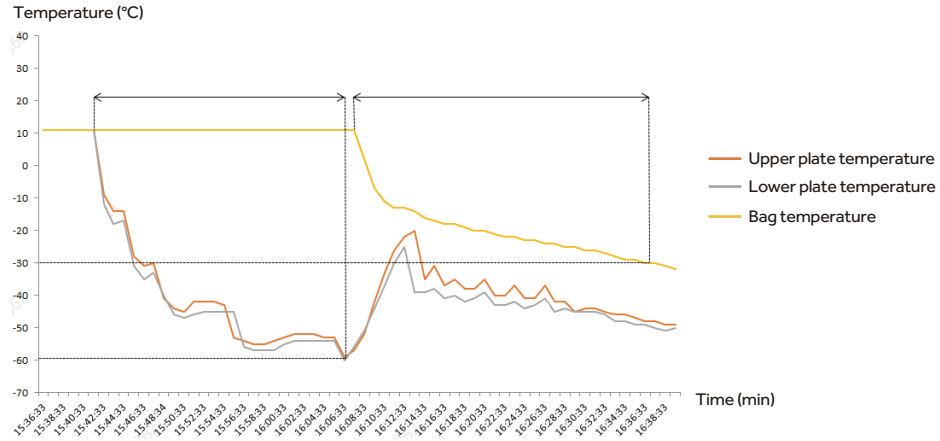
Double stage refrigeration compressor, better refrigeration performance

Universal caster, easy to move, front caster with locking device, easy to fix

Temperature Curve



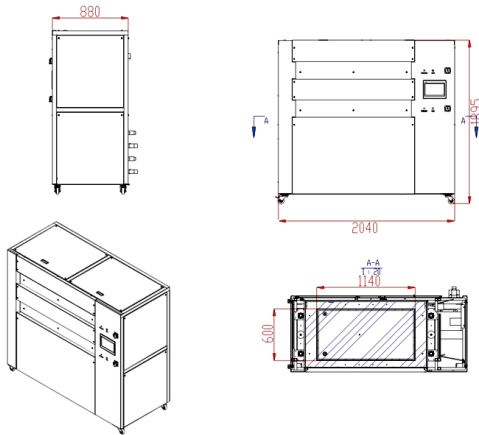
Cooling Down Curve



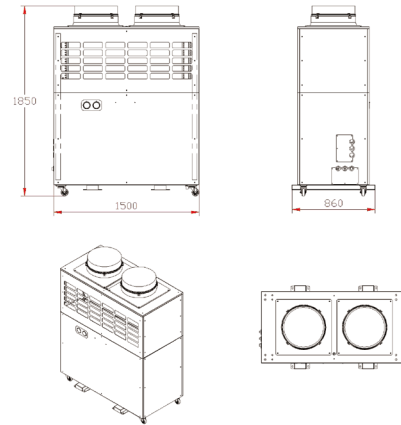
Product Dimensions



Indoor machine



Outdoor machine



Specifications



Model	Cooling Type	Power Supply	Cooling Method	Power Cord
XSD-48WFL	Plate contact quick-freezing	3N 380V-50HZ/60HZ	Forced air cooling	Plug and play

External Dimensions (mm)		Weight (kg)		Plasma Bag Capacity		
Indoor machine	Outdoor machine	Indoor machine	Outdoor machine	1000ml bag	350ml bag	250ml bag
2040*880*1895	1500*860*1850	320	360	32	80	80

Product appearance and specifications are subject to change without notice