



DW-30L520F



Alarm record
query function



Forced air and auto
defrost design



Adjustable temperature
range -10°C ~ -30°C

-30°C Forced Air Cooling Biomedical Freezer

Scope of Application

Applied for the storage of critical and temperature sensitive biological samples, laboratory products and medical products. Suitable for blood banks, hospitals, disease control centers, research laboratories.

Innovative Design

- Microprocessor-controlled system
- Multiple alarm functions
- Low noise design

Qingdao Haier Biomedical Co.,Ltd.

No.280 Feng Yuan Road, High-tech Zone,
Qingdao, 266109, P.R. China
Tel: +86-0532-88935593
E-mail: inquiry@haierbiomedical.com
Website: www.haiermedical.com



Haier Biomedical
International



Haier Biomedical
International



@haiermedicalint



Haier Biomedical
International



Haier Biomedical
International

Product Features



Forced air and auto defrost design

-30°C storage temperature with automatic defrost cycles guided by time and temperature, ensure maximum temperature stability and minimize energy consumption



Superior temperature uniformity

The temperature uniformity is $\pm 3^{\circ}\text{C}$ with the setting temperature of -30°C



High-efficiency and energy-saving compressor and system

High-efficiency hydrocarbon compressor, optimized refrigeration system and low power consumption



Green and environmentally friendly

Hydrocarbon refrigerant, energy saving and environmental protection, built with LBA foam insulation, the GWP is close to 0



Microprocessor-controlled system

Microprocessor control, with temperature display precision at 0.1°C . Internal temperature is adjustable from -10°C to -30°C



Configuration

- Standard: 4 layer adjustable shelves
- Optional: 10-inch touch screen, USB interface, NCF, chart recorder, stainless steel self, blood basket



Safe and secure

Designed with key lock, padlock, optional electronic lock, providing multiple safeguards for sample safety



Multiple alarm functions

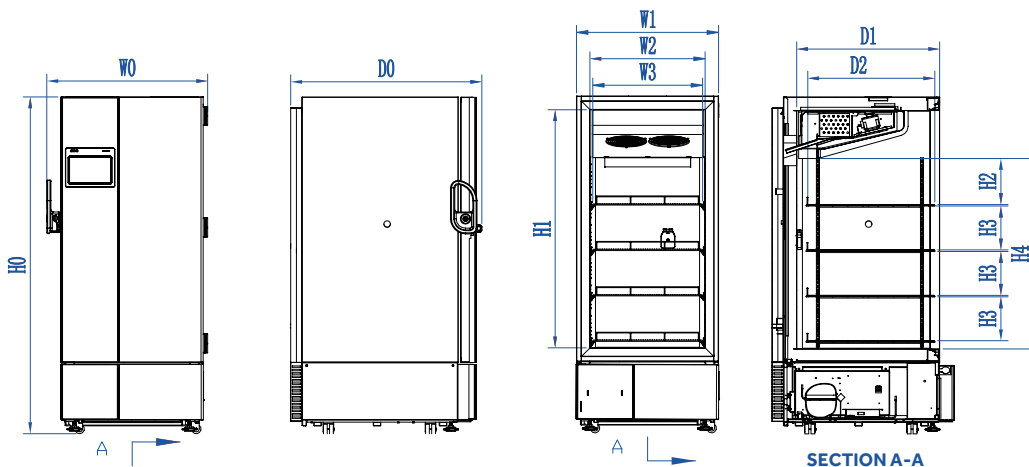
Including high/low temperature alarm, sensor error alarm, power failure alarm, low battery alarm, door ajar alarm, high ambient temperature alarm, condenser dirty alarm. Alarm mode is sound and flash



Low noise design

Noise-reduction features and structure noise reduction design

Product Size Drawing



REMARK

- W0=TOTAL WIDTH
- W1=FREEZER WIDTH
- W2=INNER CABINET WIDTH
- W3=INNER CABINET SHELF WIDTH
- D0=TOTAL DEPTH
- D1=INNER CABINET DEPTH
- D2=INNER CABINET SHELF DEPTH
- H0=TOTAL HEIGHT
- H1=INNER CABINET HEIGHT
- H2=TOP INNER CABINET SHELF HEIGHT
- H3=INNER CABINET SHELF HEIGHT

MODEL \ CODE	W0	W1	W2	W3	D0	D1	D2	H0	H1	H2	H3	H4
DW-30L520F	848mm	750mm	610mm	580mm	1011mm	755mm	675mm	1780mm	1260mm	240mm	230mm	1006mm

Product Parts



Access port

Designed with two standard access ports on the left and right sides of the freezer, convenient for users to conduct independent testing

Adjustable shelves

4 adjustable shelves, (optional: stainless steel self, blood basket)

Exceptional cooling

Combined the high quality cooling performance created by air-forced cooling and automatic defrosting

Safe and secure

Designed with key lock, padlock, optional electronic lock, providing multiple safeguards for sample safety

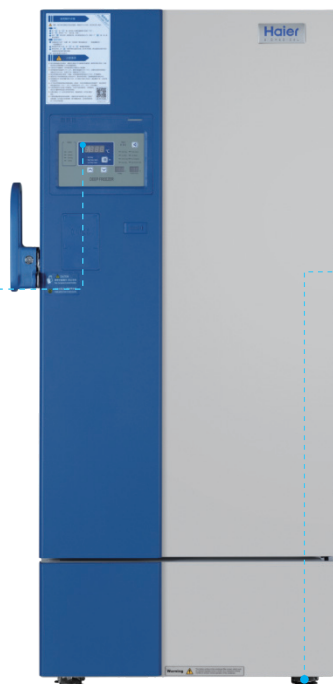


Microprocessor temperature control, LED display panel (optional: 10-inch touch screen)

LED displays cabinet temperature with 0.1°C resolution, ambient temperature, and input voltage

Feet and casters

4 back-and-forth casters and 2 adjustable feet for easy moving and leveling



Specifications



Model		DW-30L520F		
Technical Data	Cabinet Type	Upright		
	Climate Class	SN N		
	Cooling Type	Forced air cooling		
	Defrost Mode	Automatic defrost		
	Refrigerant	HC		
	Sound Level ((dB(A))	44	45	
Performance	Cooling Performance (°C)	-30		
	Temperature Range (°C)	-10--30		
Control	Controller	Microprocessor		
	Display	LED		
Electrical Data	Power Supply (V/Hz)	220-240/50	208-230/60	
	Power (W)	650	495	
	Electrical Current (A)	3.1	2.9	
Dimensions	Capacity (L/Cu.Ft)	520/18.4		
	Net/Gross Weight (approx)	(kg)	210/252	
		(lbs)	463.0/555.6	
	Interior Dimension (W*D*H)	(mm)	610*755*1006	
		(in)	24/29.7/39.6	
	Exterior Dimension (W*D*H)	(mm)	848*1011*1780	
		(in)	33.4/39.8/70.1	
	Packing Dimension (W*D*H)	(mm)	900*1060*1920	
(in)		35.4*41.7*75.6		
	Container Load (20'/40'/40'H)	10/22/22		
Alarms	High/Low Temperature	Y		
	Remote Alarm	Y		
	Power Failure	Y		
	Sensor Error	Y		
	Low Battery	Y		
	High Ambient Temperature	Y		
	Door Ajar	Y		
Accessories	Castor	Y		
	Foot	Y		
	Porthole	Y		
	Drawers/Inner Doors	/		
	USB Interface	Optional		
	RS485	Y		
	NFC	Optional		
Temperature Recorder	Optional			
Others	Certification	CE	/	

*Haier Biomedical reserves the right to change products and specifications without prior notice.