

PRODUCT SPECIFICATIONS

Model		DW-60W139		DW-60W259		DW-60W389		
Technical Data	Cabinet Type	Chest		Chest		Chest		
	Climate Class	N		N		N		
	Cooling Type	Direct cooling		Direct cooling		Direct cooling		
	Refrigerant	R600a/R1150		R600a/R1150		R600a/R1150		
	Sound Level((dB(A))	43		43		43		
Performance	Cooling performance(°C)	-60		-60		-60		
	Temperature Range(°C)	-30 ~ -60		-30 ~ -60		-30 ~ -60		
Control	Controller	Microprocessor		Microprocessor		Microprocessor		
	Display	LED		LED		LED		
Electrical Data	Power Supply (V/Hz)	220-240/50	115/60	220-240/50	115/60	220-240/50	115/60	
	Power (W)	370		410		420		
	Electrical Current (A)	3	5	3	5	3.5	6	
Dimension	Capacity(L/Cu.Ft)	138/4.9		258/9.1		388/13.7		
	Net/Gross Weight (approx)	kg	62/75		88/108		105/130	
		lbs	137/165		194/238		232/287	
	Interior Dimension(W*D*H)	mm	580*445*620		1000*445*620		1450*445*620	
		in	22.8*17.5*24.4		39.4*17.5*24.4		57.1*17.5*24.4	
	Exterior Dimensions (W*D*H)	mm	790*770*950		1210*770*950		1655*770*950	
		in	31.1*30.3*37.4		47.6*30.3*37.4		65.2*30.3*37.4	
	Packing Dimensions (W*D*H)	mm	815*800*990		1255*800*990		1695*800*990	
in		32.1*31.5*39		49.4*31.5*39		66.7*31.5*39		
Container Load(20'/40'/40'H)		28/56/56		22/46/46		14/28/28		
Alarms	High/Low Temp	Y		Y		Y		
	Sensor Error	Y		Y		Y		
	Power Failure	Y		Y		Y		
	Remote Alarm	Y		Y		Y		
Accessories	Caster	Y		Y		Y		
Others	Certification	CE	/	CE	/	CE	/	

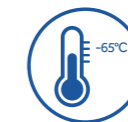
Haier Biomedical

Intelligent Protection of Life Science

-60°C Freezer



DW-60W139



-60°C rapid freezing process powered by innovative ultra-low temperature system.



Super low sound operation: noise cancelling technology yields a sound level of less than 43 dB(A).



Multiple alarm system includes temperature alarms, sensor error alarm, power failure alarm and remote alarm



HC refrigerant system is optimized to improve refrigeration efficiency by 30 %, and save energy by about 50%.

Designed to store high-end ingredients such as tuna, Australian lobster, salmon, green shrimp, Argentine red shrimp, and top-quality beef.

Suitable for commercial channels such as professional sea fishing enthusiasts, major fishery wholesalers, specialty stores of precious seafood ingredients, and restaurants.

Qingdao Haier Biomedical Co.,Ltd.

No.280 Feng Yuan Road, High-tech Zone,
Qingdao, 266109, P.R. China
Tel: +86-0532-88935955
Website: www.haiermedical.com



Haier Biomedical International



Haier Biomedical International



@haiermedicalint



@haierbiomedicalint



Haier Biomedical International

Safer by Design

Single compressor auto cascade refrigeration system provides high efficient cooling power. Insulation thickness is 100 mm for optimal protection of cold temperature and saving energy.



Creative dual seals design retains cold temperature more effectively, and eliminates condensation on gaskets.



Stainless steel inner cabinet for easy cleaning



Interior lock design ensures product safety. Lockable casters permit ease of installation and maneuvering.



Water proof digital control delivers precise temperature for storage. Display and control system are easy to use.

PRODUCT ADVANTAGES



Dual-seal design



Imported brand fan

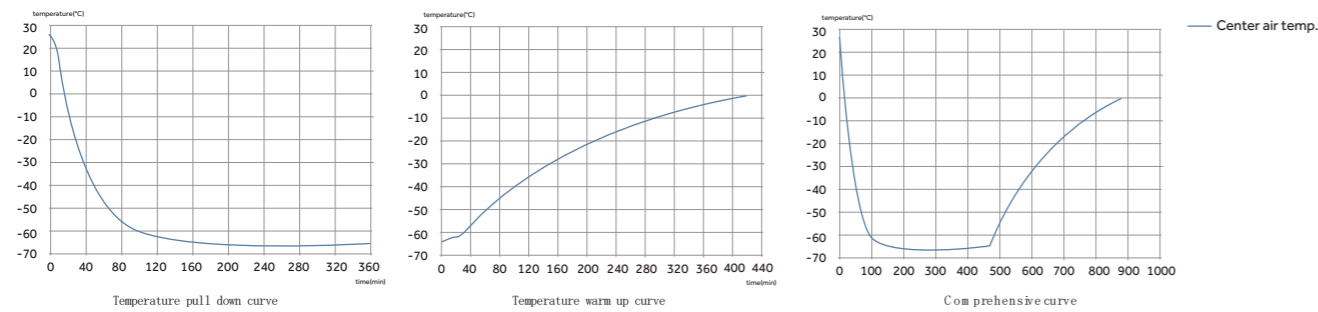


Imported brand compressor

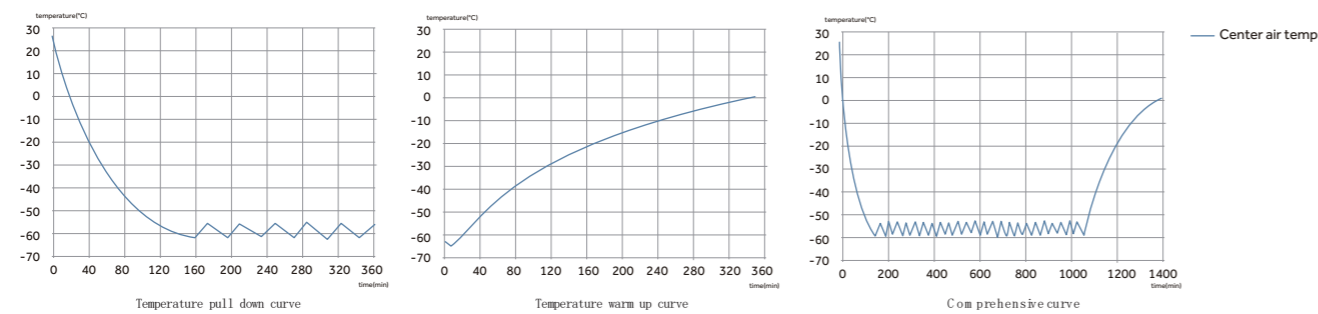


Digital temperature control display

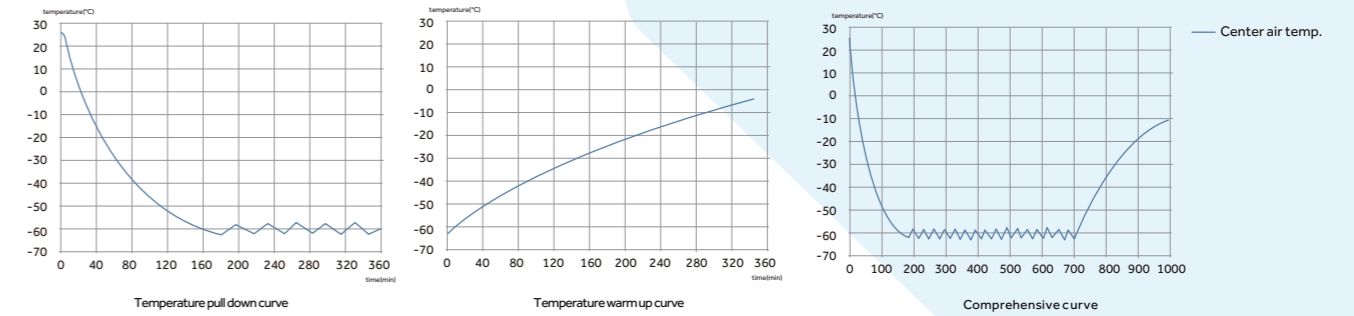
DW-60W139 | TYPICAL PERFORMANCE CHARACTERISTICS IN 25°C AMBIENT



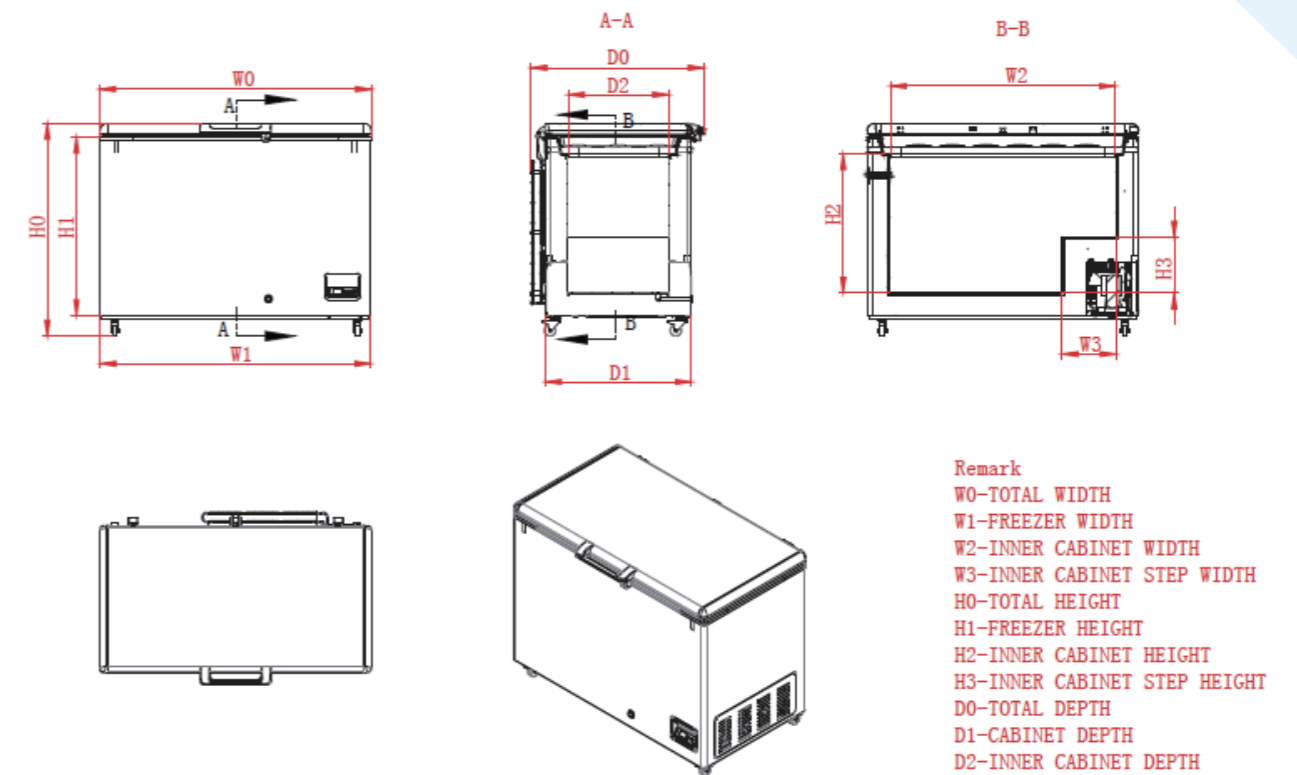
DW-60W259 | TYPICAL PERFORMANCE CHARACTERISTICS IN 25°C AMBIENT



DW-60W389 | TYPICAL PERFORMANCE CHARACTERISTICS IN 25°C AMBIENT



PRODUCT DIMENSION DRAWING



MODEL	CODE	W0	W1	W2	W3	H0	H1	H2	H3	D0	D1	D2
DW-60W139		790	785	580	240	950	797	620	250	770	650	445
DW-60W259		1210	1205	1000	240	950	797	620	250	770	650	445
DW-60W389		1655	1650	1450	240	950	797	620	250	770	650	445